

AXLE/TIRE/VEHICLE HEIGHT DATA SUPER DUTY F-250/350 CREW CAB STYLESIDE PICKUP — 4X2/4X4

MODEL	WB	GVWR	BASE TIRE	F HEIGHT AT FRONT WHEEL ⁽⁵⁾		R HEIGHT AT REAR AXLE ⁽⁵⁾		LH ⁽⁵⁾⁽⁶⁾		CH ⁽⁵⁾		H	J	K	L	*L	M	AA ⁽⁷⁾	BB ⁽⁸⁾	CC ⁽⁸⁾	FW	RW	OW	CW	TH	*H	TW	*W
				CURB ⁽³⁾	LOADED ⁽⁴⁾	CURB ⁽³⁾	LOADED ⁽⁴⁾	EMPTY	LOADED	EMPTY	LOADED																	
Super Duty F-250 Crew Cab 4x2	3967 [156.2]	8800	LT235/85R16E	533 [21.0]	515 [20.3]	624 [24.6]	505 [19.9]	847 [33.3]	696 [27.4]	1960 [77.2]	1883 [74.1]	205 [8.1]	24 [0.9]	165 [6.5]	1143 [45.0]	1271 [50.0]	45 [1.8]	259 [10.2]	792 [31.2]	375 [14.8]	1745 [68.7]	1729 [68.1]	1983 [78.1]	—	390 [15.4]	233 [9.2]	716 [28.2]	254 [10.0]
	4379 [172.4]			530 [20.9]	515 [20.3]	622 [24.5]	505 [19.9]	842 [33.2]	698 [27.5]	1957 [77.0]	1884 [74.2]	205 [8.1]	24 [0.9]	165 [6.5]	1143 [45.0]	1271 [50.0]	45 [1.8]	259 [10.2]	792 [31.2]	375 [14.8]	1745 [68.7]	1729 [68.1]	1983 [78.1]	—	390 [15.4]	233 [9.2]	716 [28.2]	254 [10.0]
Super Duty F-250 Crew Cab 4x4	3967 [156.2]	8800	LT235/85R16E	632 [24.9]	604 [23.8]	722 [28.4]	558 [22.0]	886 [34.9]	739 [29.1]	2027 [79.8]	1943 [76.5]	205 [8.1]	77 @ [3.0]	165 [6.5]	1143 [45.0]	1271 [50.0]	45 [1.8]	259 [10.2]	792 [31.2]	375 [14.8]	1736 [68.4]	1729 [68.1]	1983 [78.1]	—	298 [11.7]	141 [5.6]	727 [28.6]	262 [10.3]
	4379 [172.4]			628 [24.7]	604 [23.8]	675 [26.5]	558 [22.0]	884 [34.8]	741 [29.1]	1951 [76.8]	1883 [74.1]	205 [8.1]	77 @ [3.0]	165 [6.5]	1143 [45.0]	1271 [50.0]	45 [1.8]	259 [10.2]	792 [31.2]	375 [14.8]	1736 [68.4]	1729 [68.1]	1983 [78.1]	—	298 [11.7]	141 [5.6]	727 [28.6]	262 [10.3]
Super Duty F-350 Crew Cab 4x2	3967 [156.2]	9900 ⁽¹⁾	LT265/75R16E	532 [20.9]	515 [20.3]	624 [24.6]	505 [19.9]	847 [33.3]	697 [27.4]	1955 [77.0]	1879 [74.0]	205 [8.1]	24 [0.9]	165 [6.5]	1143 [45.0]	1271 [50.0]	45 [1.8]	278 [10.9]	781 [30.7]	371 [14.6]	1745 [68.7]	1729 [68.1]	2007 [79.0]	—	376 [14.8]	219 [8.6]	707 [27.8]	245 [9.6]
		11200 ⁽²⁾ DRW	LT215/85R16E	520 [20.5]	504 [19.9]	629 [24.8]	494 [19.5]	856 [33.7]	687 [27.0]	1983 [78.1]	1883 [74.1]	205 [8.1]	17 [0.7]	177 [7.0]	1143 [45.0]	1271 [50.0]	45 [1.8]	229 [9.0]	748 [29.4]	355 [14.0]	1745 [68.7]	—	23.80 [93.7]	1880 [74.0]	379 [14.9]	222 [8.7]	664 [26.1]	202 [8.0]
	4379 [172.4]	9900 ⁽¹⁾	LT265/75R16E	529 [20.8]	515 [20.3]	622 [24.5]	505 [19.9]	842 [33.1]	698 [27.5]	1964 [77.3]	1880 [74.0]	205 [8.1]	24 [0.9]	165 [6.5]	1143 [45.0]	1271 [50.0]	45 [1.8]	278 [10.9]	781 [30.7]	371 [14.6]	1745 [68.7]	1729 [68.1]	2007 [79.0]	—	376 [14.8]	219 [8.6]	707 [27.8]	245 [9.6]
		11200 ⁽²⁾ DRW	LT215/85R16E	524 [20.6]	504 [19.9]	627 [24.7]	494 [19.5]	850 [33.5]	686 [27.0]	1976 [77.8]	1884 [74.2]	205 [8.1]	17 [0.7]	177 [7.0]	1143 [45.0]	1271 [50.0]	45 [1.8]	229 [9.0]	748 [29.4]	355 [14.0]	1745 [68.7]	—	23.80 [93.7]	1880 [74.0]	379 [14.9]	222 [8.7]	664 [26.1]	202 [8.0]
Super Duty F-350 Crew Cab 4x4	3967 [156.2]	9900 ⁽¹⁾	LT265/75R16E	632 [24.9]	604 [23.8]	694 [27.3]	561 [22.0]	912 [35.9]	745 [29.3]	1958 [77.1]	1878 [73.9]	205 [8.1]	77 @ [3.0]	165 [6.5]	1143 [45.0]	1271 [50.0]	45 [1.8]	278 [10.9]	781 [30.7]	371 [14.6]	1736 [68.4]	1729 [68.1]	2007 [79.0]	—	285 [11.2]	128 [5.0]	715 [28.1]	253 [10.0]
		11200 ⁽²⁾ DRW	LT235/85R16E	622 [24.2]	607 [23.9]	694 [27.3]	561 [22.0]	912 [35.9]	745 [29.3]	2027 [79.8]	1952 [76.8]	205 [8.1]	77 @ [3.0]	177 [7.0]	1143 [45.0]	1271 [50.0]	45 [1.8]	259 [10.2]	792 [31.2]	375 [14.8]	1736 [68.4]	—	2405 [94.7]	1880 [74.0]	317 [12.5]	160 [6.3]	664 [26.1]	202 [8.0]
	4379 [172.4]	9900 ⁽¹⁾	LT265/75R16E	628 [24.7]	604 [23.8]	720 [28.4]	604 [23.8]	941 [37.0]	798 [31.4]	1957 [77.0]	1879 [74.0]	205 [8.1]	77 @ [3.0]	165 [6.5]	1143 [45.0]	1271 [50.0]	45 [1.8]	278 [10.9]	781 [30.7]	371 [14.6]	1736 [68.4]	1729 [68.1]	2007 [79.0]	—	285 [11.2]	128 [5.0]	715 [28.1]	253 [10.0]
		11200 ⁽²⁾ DRW	LT235/85R16E	629 [24.8]	607 [23.9]	690 [27.1]	561 [22.0]	904 [35.6]	745 [29.3]	2027 [79.8]	1955 [77.0]	205 [8.1]	77 @ [3.0]	177 [7.0]	1143 [45.0]	1271 [50.0]	45 [1.8]	259 [10.2]	792 [31.2]	375 [14.8]	1736 [68.4]	—	2405 [94.7]	1880 [74.0]	317 [12.5]	160 [6.3]	664 [26.1]	202 [8.0]

DRW — Dual Rear Wheels

- (1) — 9700 lb California
- (2) — 11,000 lb California
- (3) — Height at base curb weight with standard springs
- (4) — Loaded height at spring rating with standard springs

- (5) — The Height Data shown represents dimensions of a base/standard vehicle with no options.
- (5) Actual height may vary due to production tolerances [completed vehicles only].
- (6) — Distance from Pickup Box Floor to Frame Datum Line is 211 [8.3] at front, 199 [7.8] at rear.
- (7) — AA is measured at 80 psi for all season tire.
- (8) — BB/CC are measured at design at 60 psi.
- Static load rating of design and curb weight are taken at 60 psi.

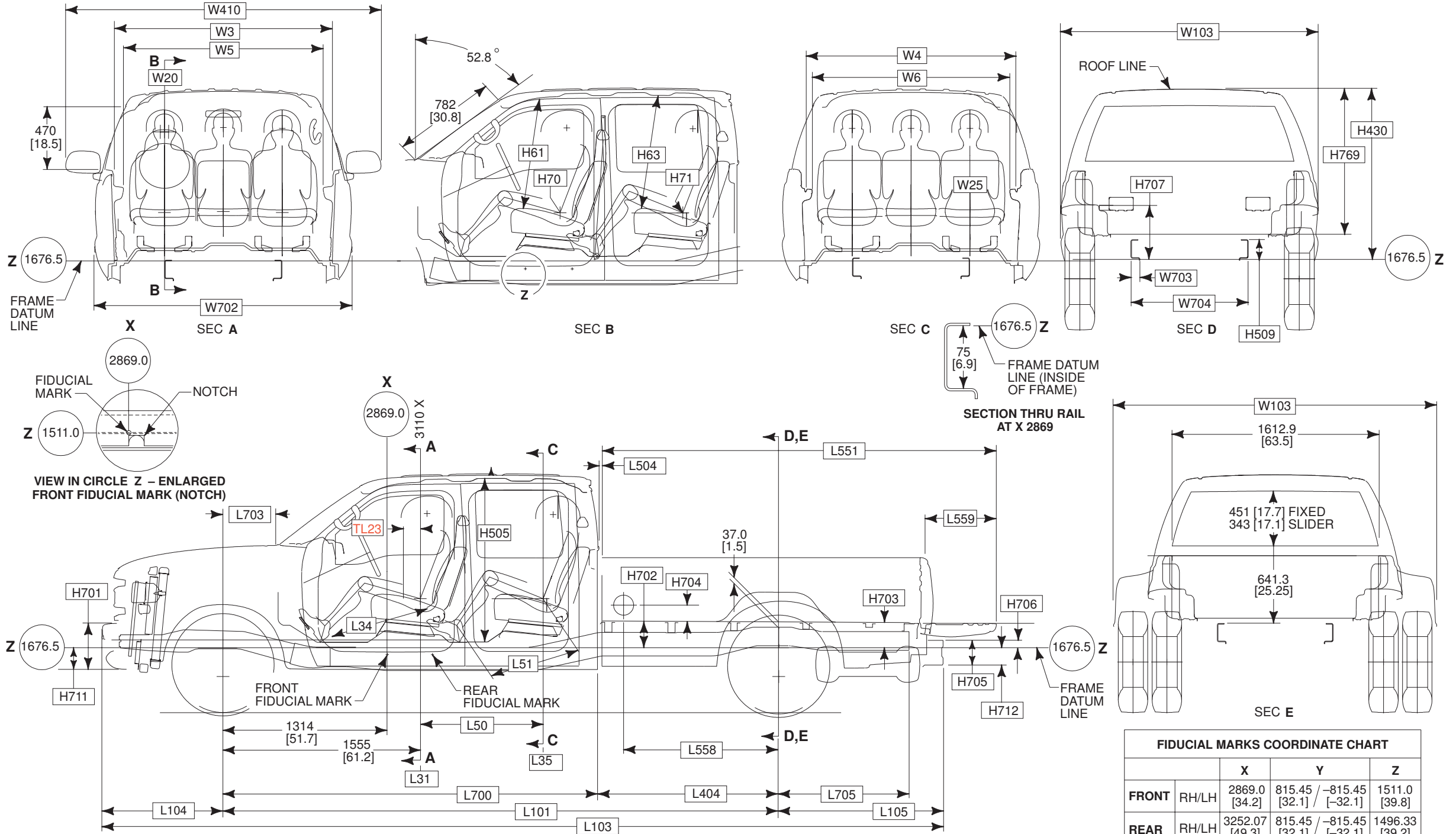
@ — The top of the spring seat is below datum line.

- *H — Top of frame at \mathcal{C} of rear axle to top of tire in jounce
- *L — From outside edge of shackle eyebolt
- *W — From frame to top of tire in jounce

NOTES — [] DIMENSIONS ARE IN INCHES.

- F AND R VEHICLE HEIGHT DIMENSIONS ARE FROM GROUND TO FRAME DATUM LINE.
- LH IS FROM GROUND TO TOP OF FLOOR RIBS.

DIMENSIONAL DATA SUPER DUTY F-250/350 CREW CAB STYLE SIDE PICKUP — 4X2/4X4



- NOTES** — [] DIMENSIONS ARE IN INCHES.
 — INTERIOR BOX DIMENSIONS, PAGES 154-155
 — AXLE/TIRE/VEHICLE HEIGHT DATA, PAGES 160-161
 ★ MEASURED FROM TOP OF FRAME TO BOTTOM OF REAR WINDOW

DIMENSIONAL DATA SUPER DUTY F-250/350 CREW CAB STYLE SIDE PICKUP — 4X2/4X4

CHASSIS

CODE	DESCRIPTION	SWB	LWB
H509	FRAME DATUM LINE TO TOP OF FRAME AT REAR AXLE	162 [6.4]	162 [6.4]
L101	WHEELBASE	3967 [156.2]	4378 [172.4]
L103	OVERALL LENGTH — W/REAR BUMPER	6243 [245.8]	6654 [262.0]
L104	FRONT OVERHANG	950 [37.4]	950 [37.4]
L105	REAR OVERHANG — W/BUMPER	1326 [52.2]	1326 [52.2]
L404	BACK OF CAB TO ϕ OF REAR AXLE	1016 [40.0]	1427 [56.2]
L705	ϕ REAR AXLE TO END OF FRAME	1026 [40.4]	1026 [40.4]
W703	FRAME RAIL WIDTH	72 [2.8]	72 [2.8]
W704	REAR FRAME WIDTH	956 [37.7]	956 [37.7]

PICKUP BODY

CODE	DESCRIPTION	SWB	LWB
NOMINAL CARGO BODY SIZE			
H702	FRAME DATUM LINE TO TOP OF CARGO BOX FLOOR — FRONT	211 [8.3]	211 [8.3]
H703	FRAME DATUM LINE TO CARGO BODY FLOOR — REAR	199 [7.8]	199 [7.8]
H704	TOP OF FLOOR TO ϕ OF FUEL FILLER DOOR	126 [5.0]	126 [5.0]
H705	REAR BUMPER HEIGHT	219 [8.6]	219 [8.6]
H706	FRAME DATUM TO TOP OF BUMPER STEP	124 [4.9]	124 [4.9]
H707	FRAME DATUM TO TOP OF WHEELHOUSE	435 [17.1]	435 [17.1]
H712	FRAME DATUM LINE TO BOTTOM OF REAR BUMPER	163 [6.4]	163 [6.4]
H769	TOP OF FLOOR TO TOP OF CAB @ ϕ REAR WHEELS	1164 [45.8]	1164 [45.8]
L504	CAB TO PICKUP BODY	28 [1.1]	28 [1.1]
L551	OVERALL TO OPEN TAILGATE	2698 [106.2]	3109 [122.4]
L558	ϕ REAR AXLE TO ϕ FUEL FILLER DOOR SRW DRW	597 [23.5] 667 [26.3]	1223 [48.2] 1223 [48.2]
L559	OPEN TAILGATE	549 [21.6]	549 [21.6]
W103	VEHICLE WIDTH SRW DRW	2031 [79.9] 2426 [95.5]	2031 [79.9] 2426 [95.5]

CAB

CODE	DESCRIPTION	4x2/4x4
H61	EFFECTIVE HEADROOM — FRONT	1052 [41.4]
H63	EFFECTIVE HEADROOM — REAR BENCH SEAT	1040 [41.0]
H70	SEATING REFERENCE POINT — SgRP — LH/RH — FRONT (Z)	2071 [61.9]
H71	SEATING REFERENCE POINT — SgRP — LH/RH — REAR BENCH SEAT (Z)	2071 [61.9]
H430	FRAME DATUM TO TOP OF CAB	1368 [53.9]
H505	MAXIMUM CARGO HEIGHT	1284 [50.6]
H701	FRONT BUMPER HEIGHT — W/O VALANCE — W/VALANCE	337 [13.3] 361 [14.2]
H711	FRAME DATUM TO BOTTOM OF FRONT BUMPER — W/O VALANCE — W/VALANCE	145 [5.7] 170 [6.7]
TL23	FORWARD SEAT TRACK	160 [6.3]
L31	SEATING REFERENCE POINT — SgRP — LH/RH — FRONT (X)	3110 [43.7]
L34	MAXIMUM EFFECTIVE LEG ROOM — FRONT — W/VINYL MAT — W/CARPET	1034 [40.7] 1036 [40.8]
L35	SEATING REFERENCE POINT — SgRP — LH/RH — REAR BENCH SEAT (X)	4078 [81.8]
L50	H-POINT COUPLE DISTANCE	968 [38.1]
L51	EFFECTIVE LEG ROOM — REAR — FRONT BENCH/REAR BENCH — FRONT CAPTAIN'S CHAIR, REAR BENCH	1050 [41.3] 1038 [40.9]
L700	ϕ FRONT AXLE TO BACK OF CAB	2951 [116.2]
L703	ϕ FRONT AXLE TO COWL POINT	447 [17.6]
W3	SHOULDER ROOM — FRONT — BASE TRIM — HIGH SERIES TRIM	1728 [68.0] 1701 [67.0]
W4	SHOULDER ROOM — REAR — BASE TRIM — HIGH SERIES TRIM	1726 [68.0] 1700 [66.9]
W5	HIP ROOM — FRONT — BASE TRIM — HIGH SERIES TRIM	1711 [67.4] 1711 [67.4]
W6	HIP ROOM — REAR BASE TRIM	1708 [67.3]
W20	SEATING REFERENCE POINT — SgRP — LH/RH — FRONT (Y)	— 464/464 [- 18.3/18.3]
W25	SEATING REFERENCE POINT — SgRP — LH/RH — REAR BENCH SEAT (Y)	— 464/464 [- 18.3/18.3]
W410	OVERALL CAB WIDTH W/MIRRORS — MANUAL — ELECTRIC — TRAILER TOW	2522 [99.3] 2522 [99.3] 2677 [105.4]
W702	FRONT BUMPER WIDTH	2006 [79.0]

NOTE — [] DIMENSIONS ARE IN INCHES.