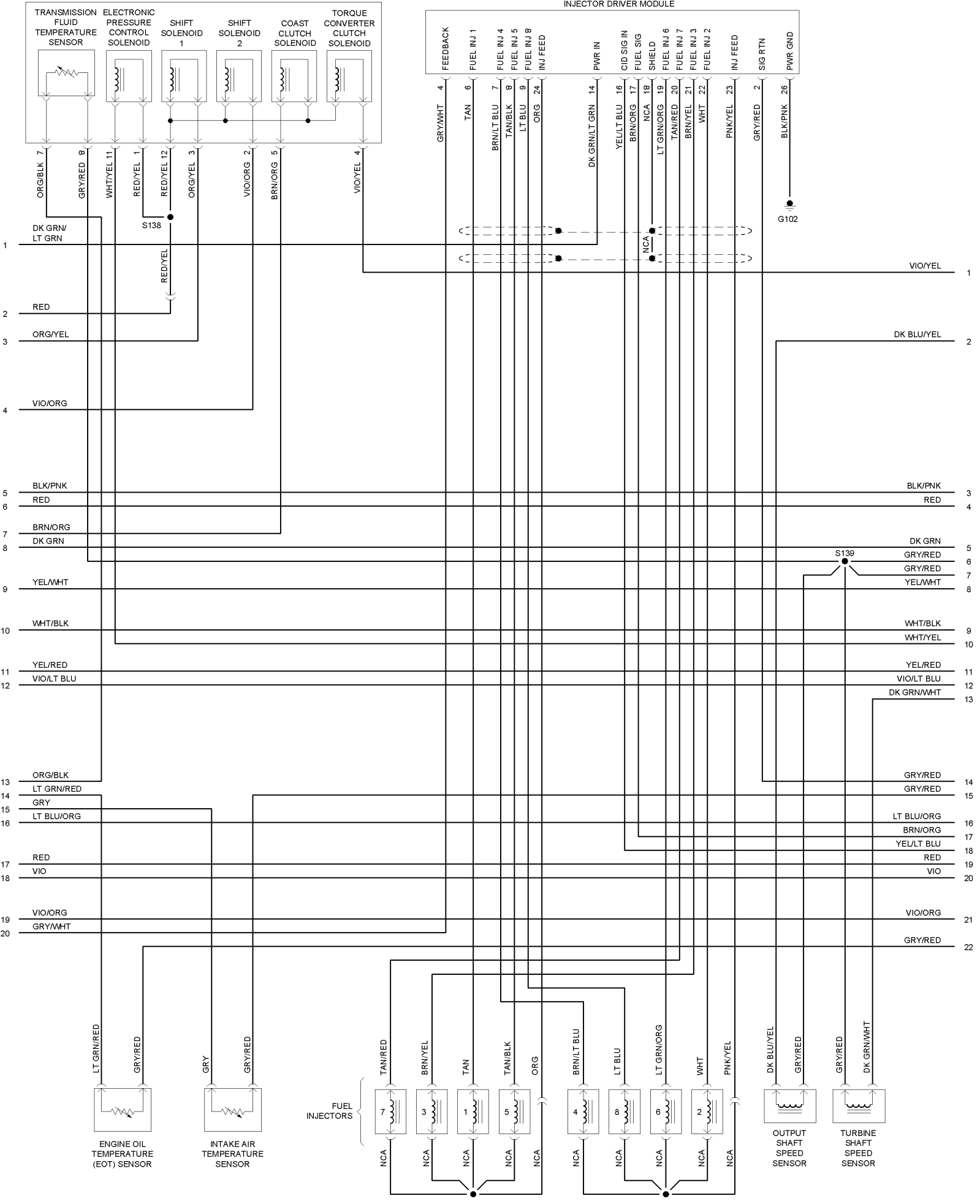
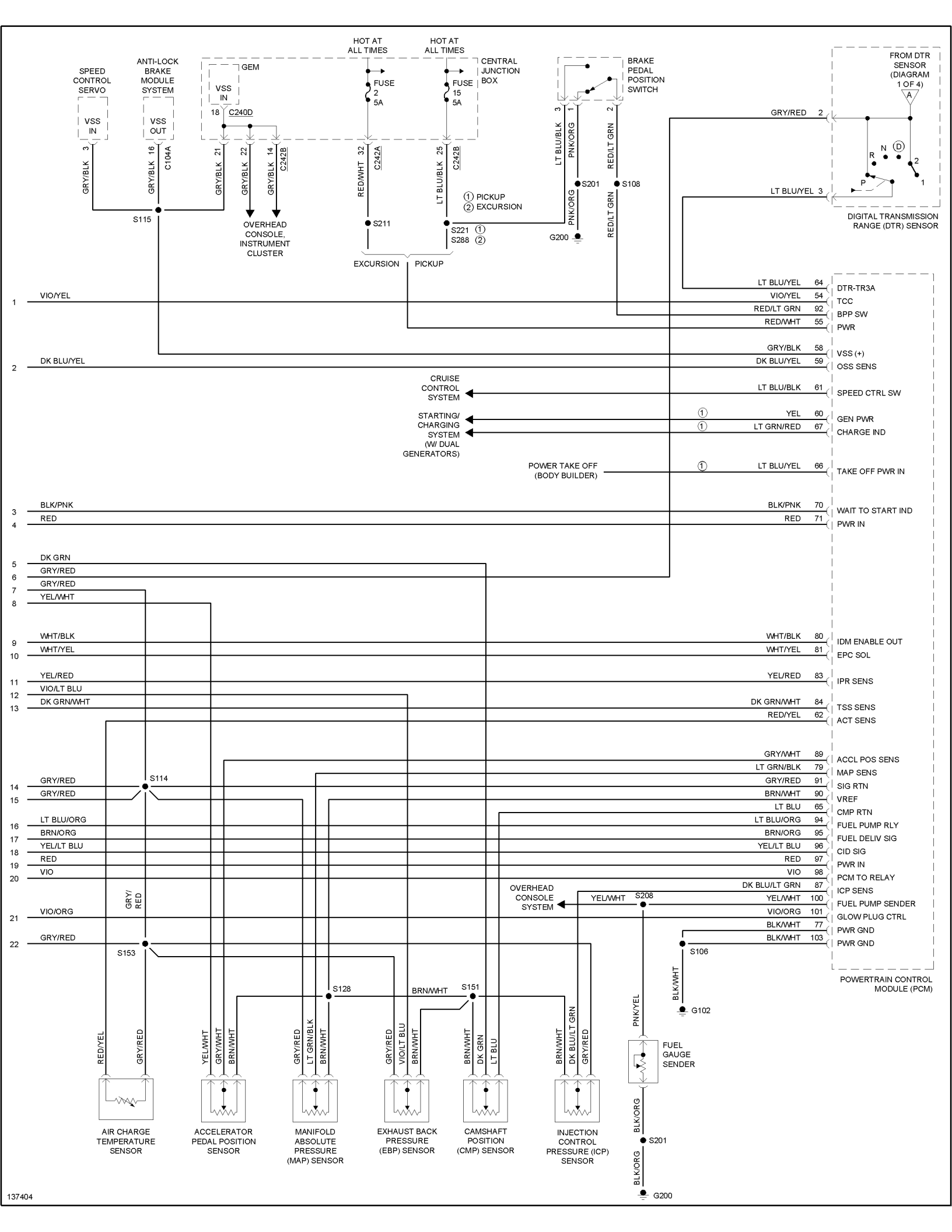
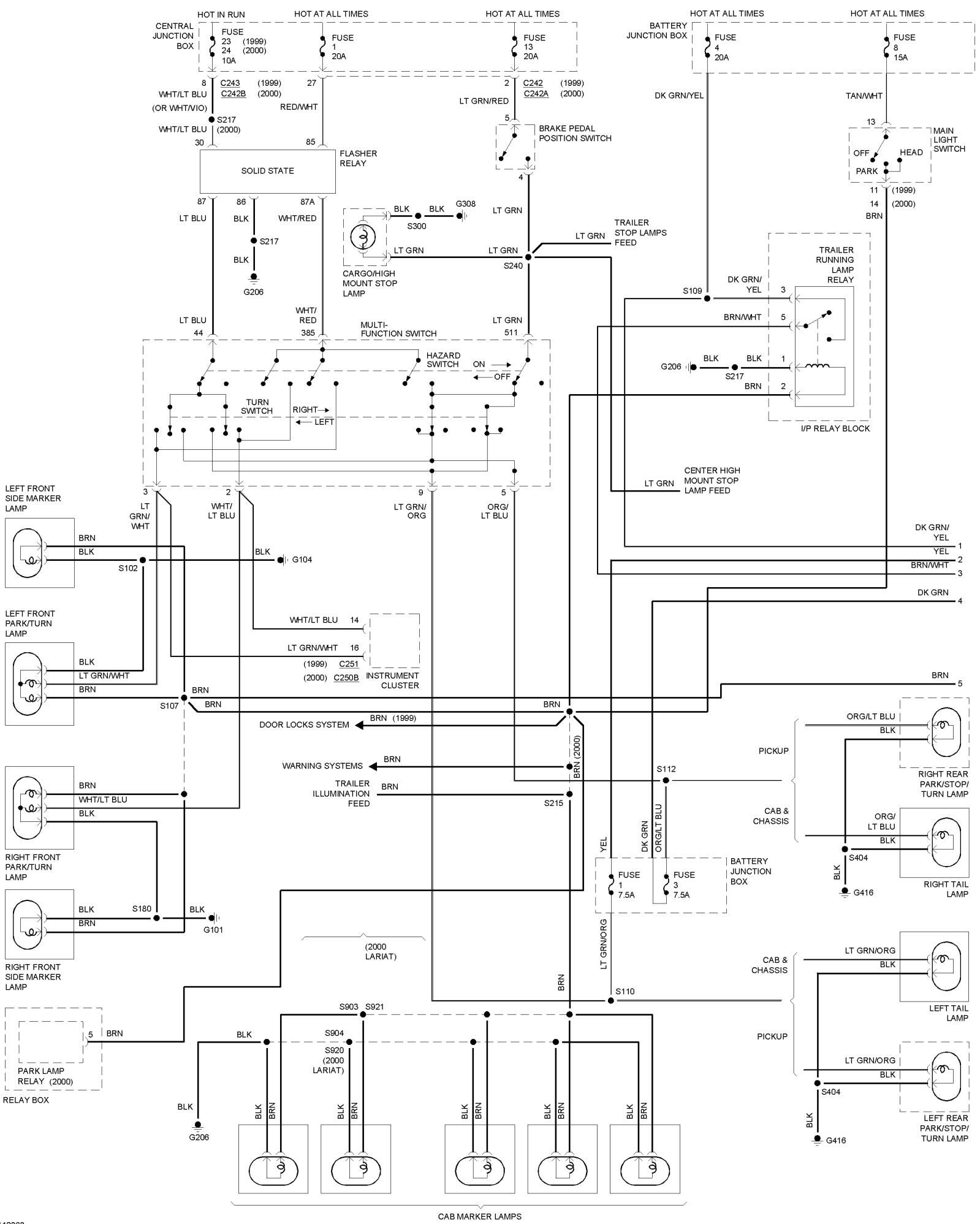


4R100 TRANSMISSION

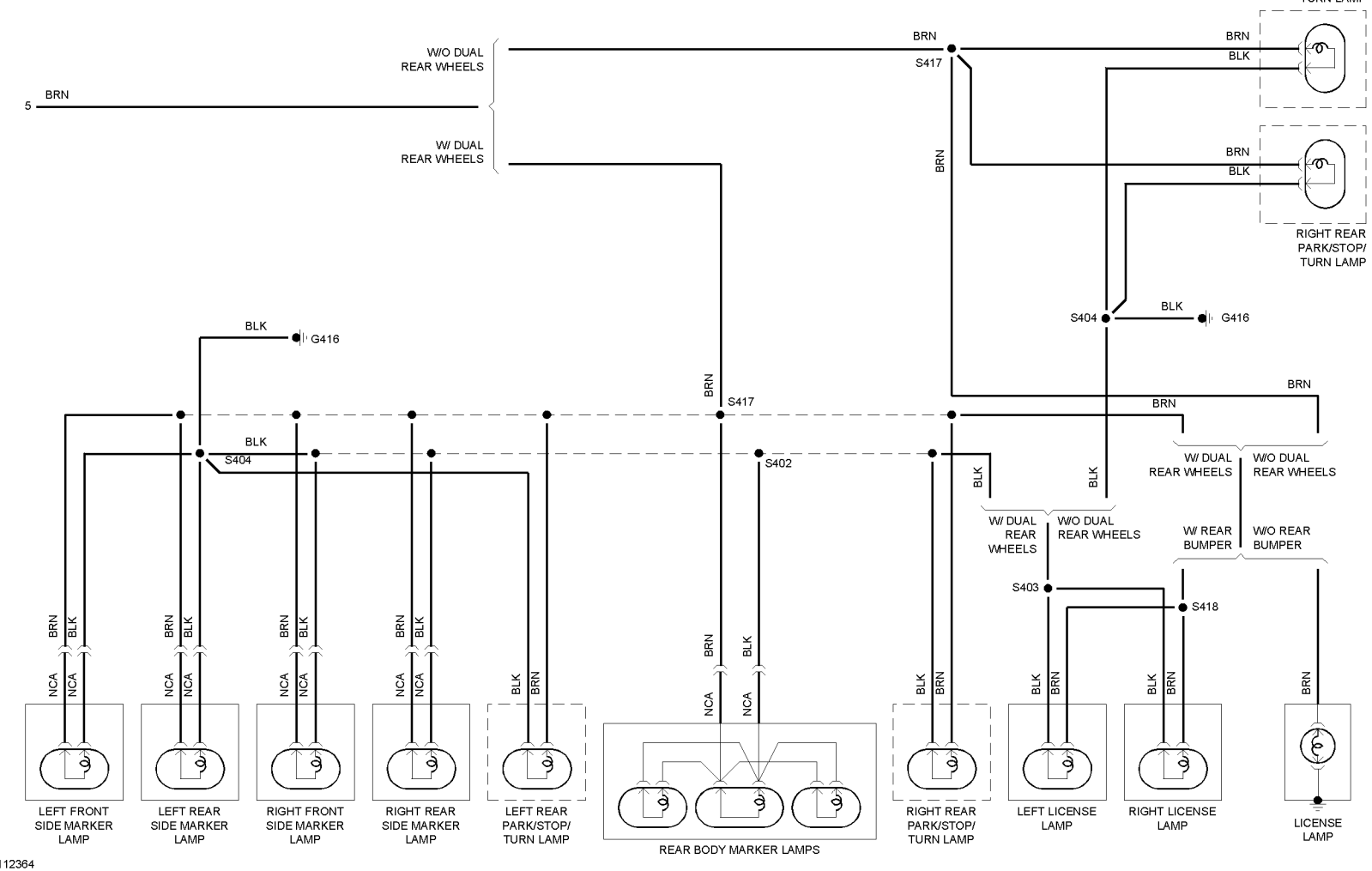
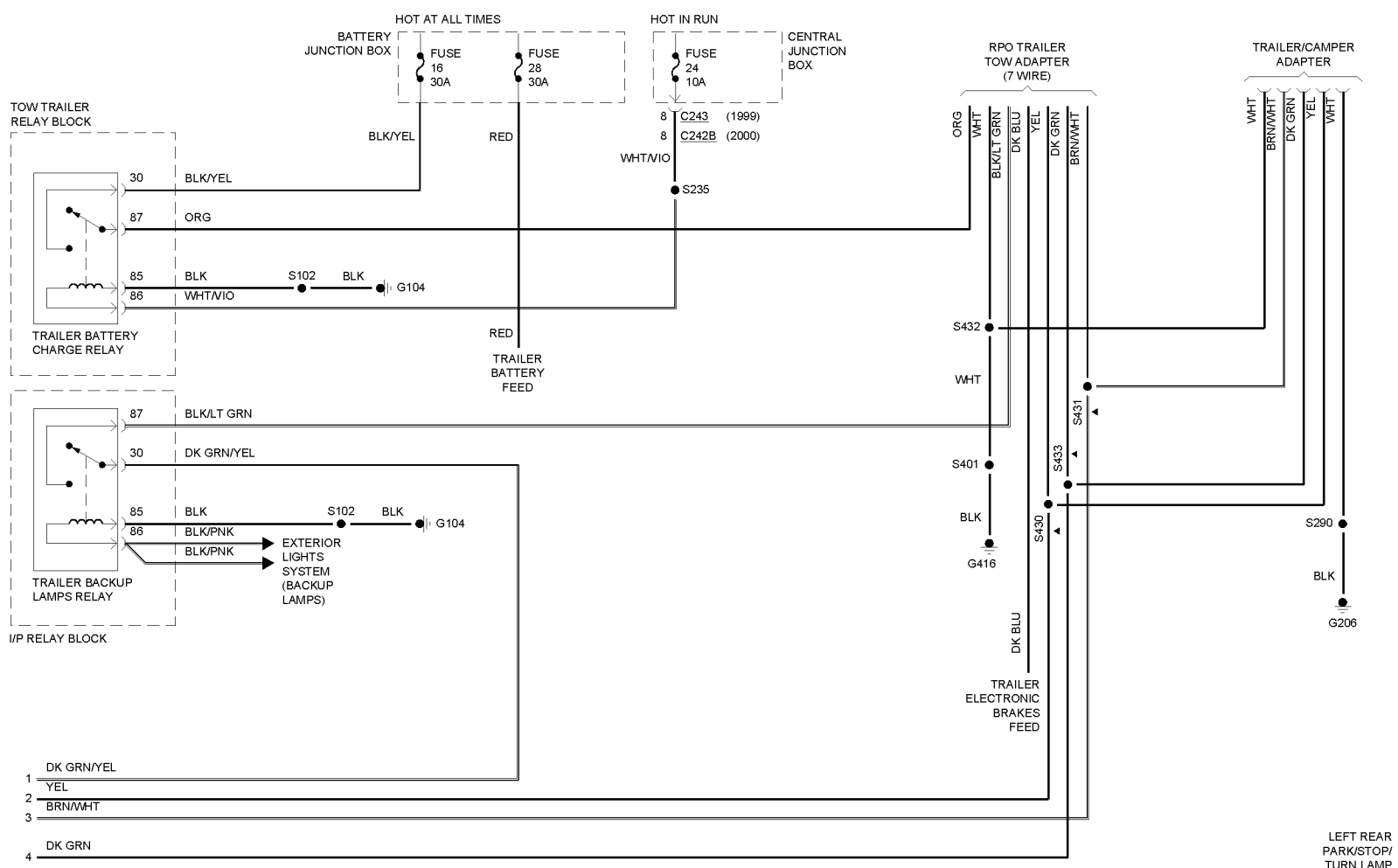
INJECTOR DRIVER MODULE



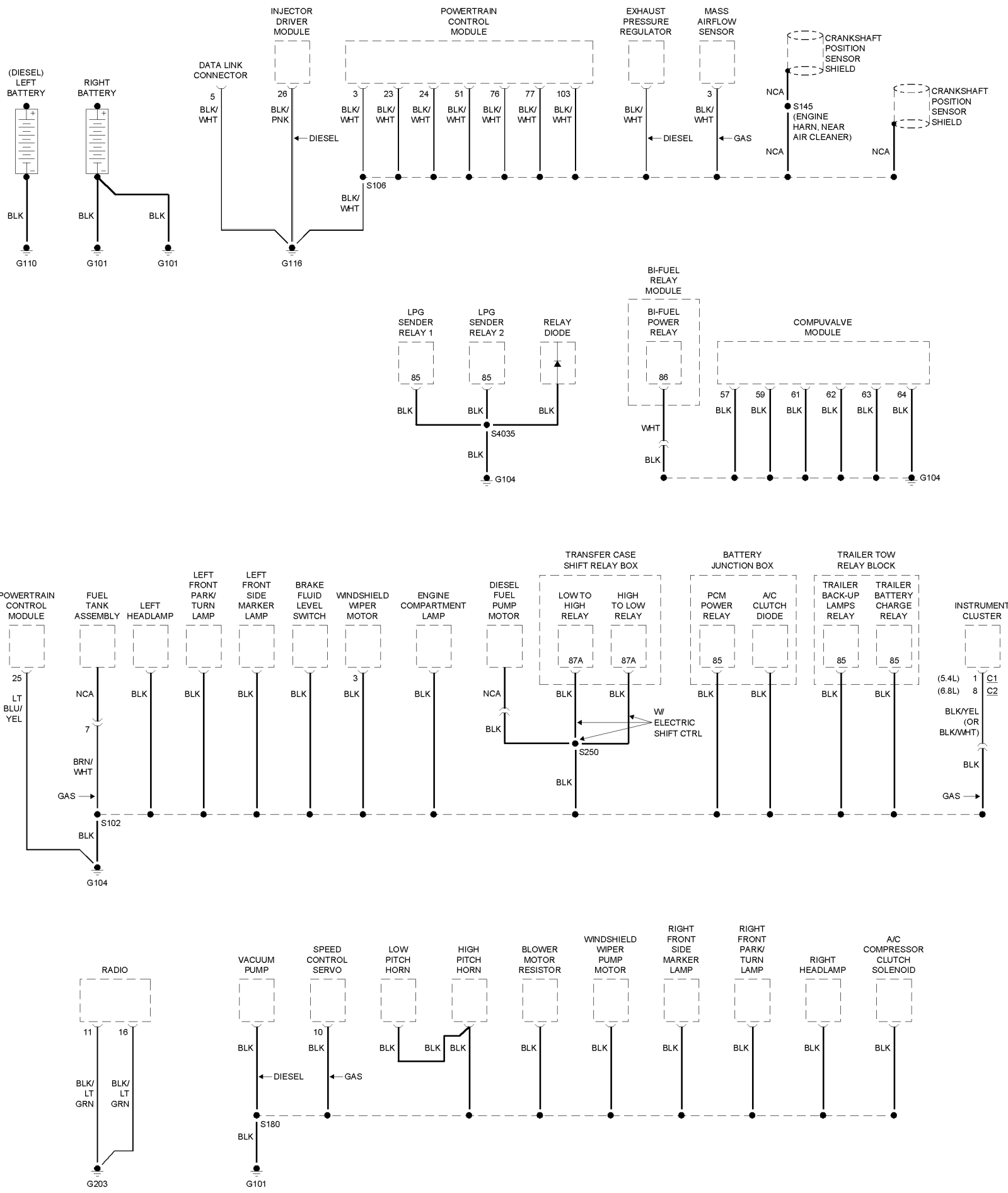


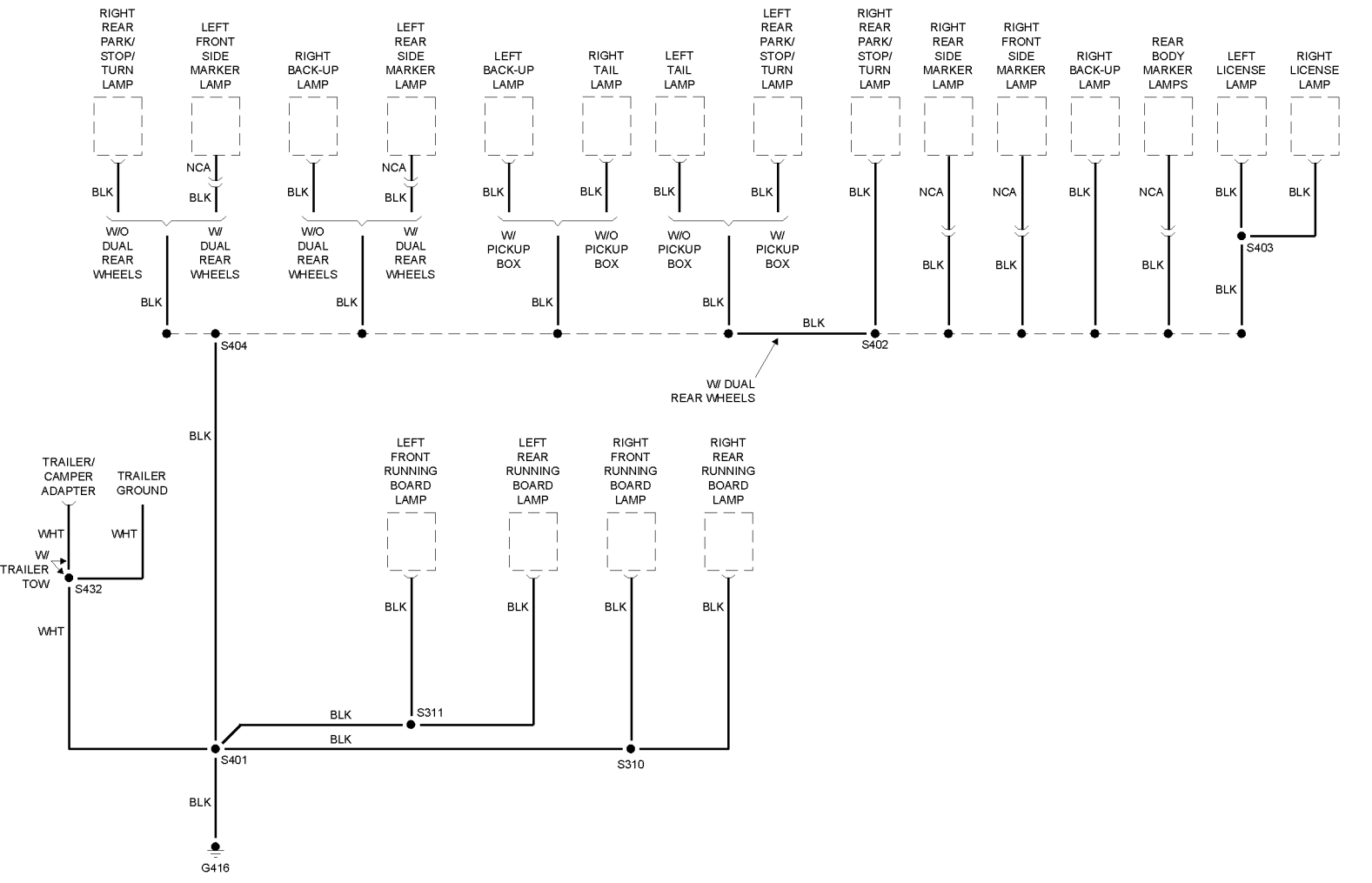
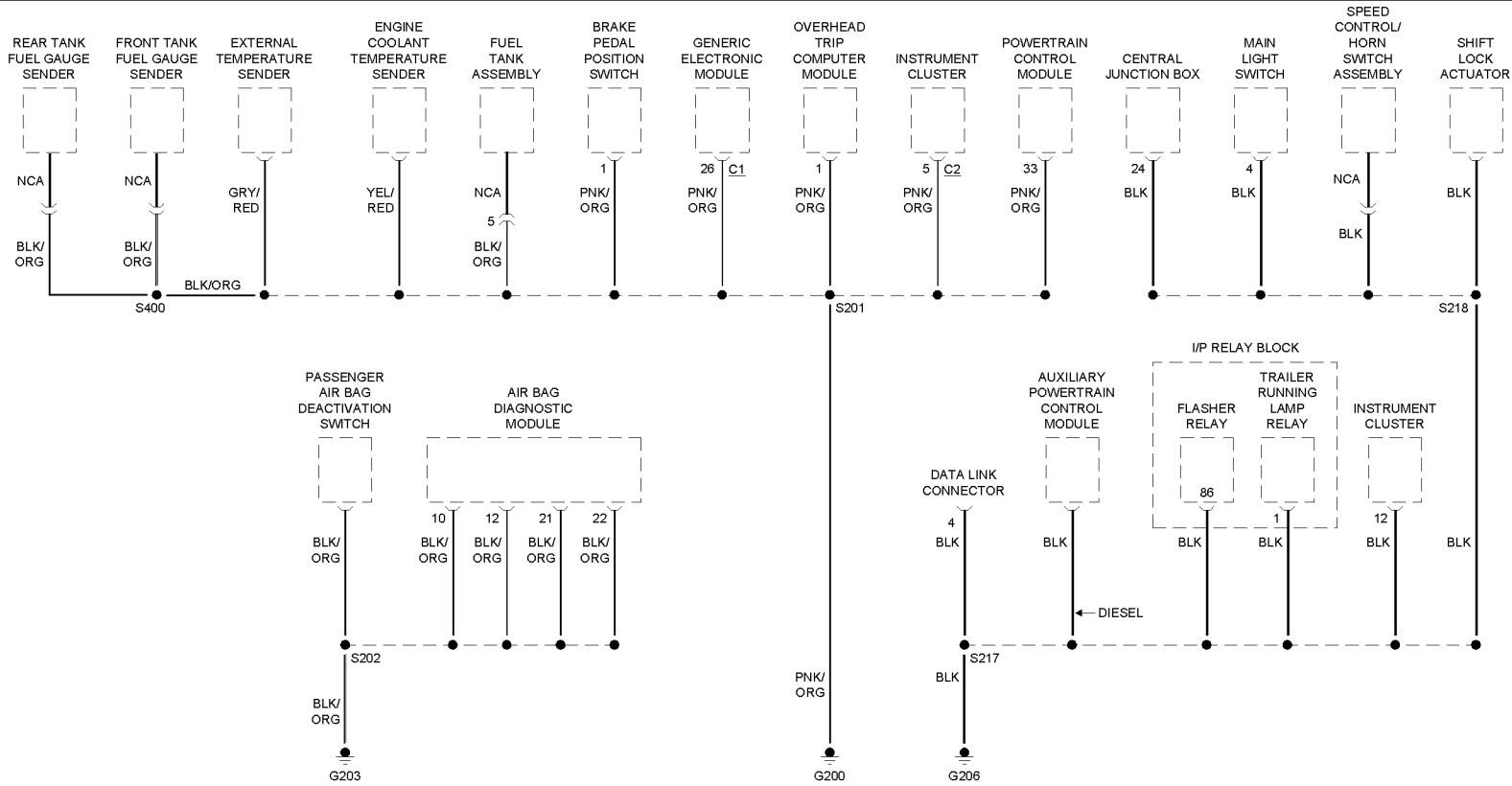


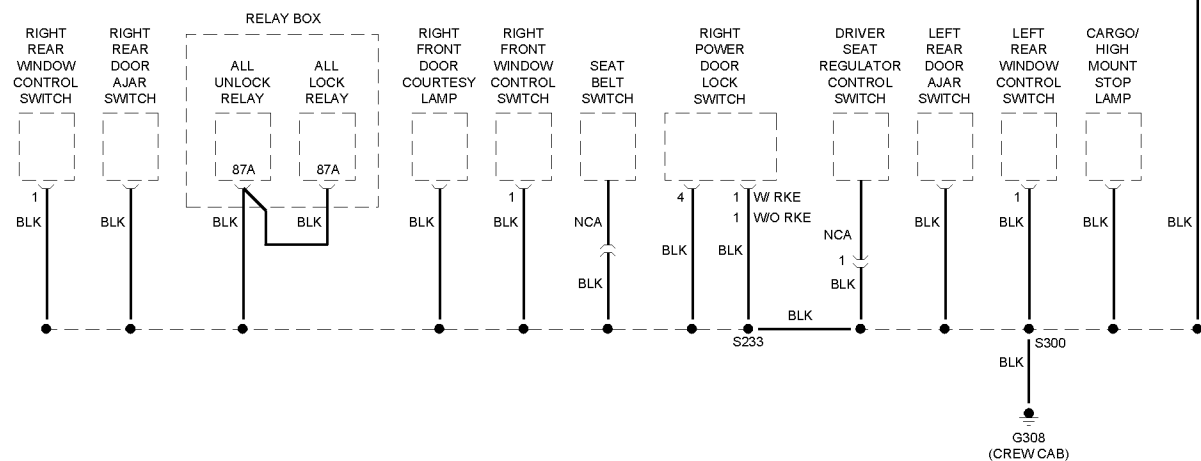
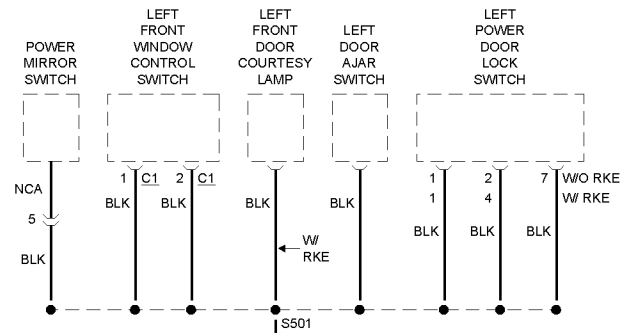
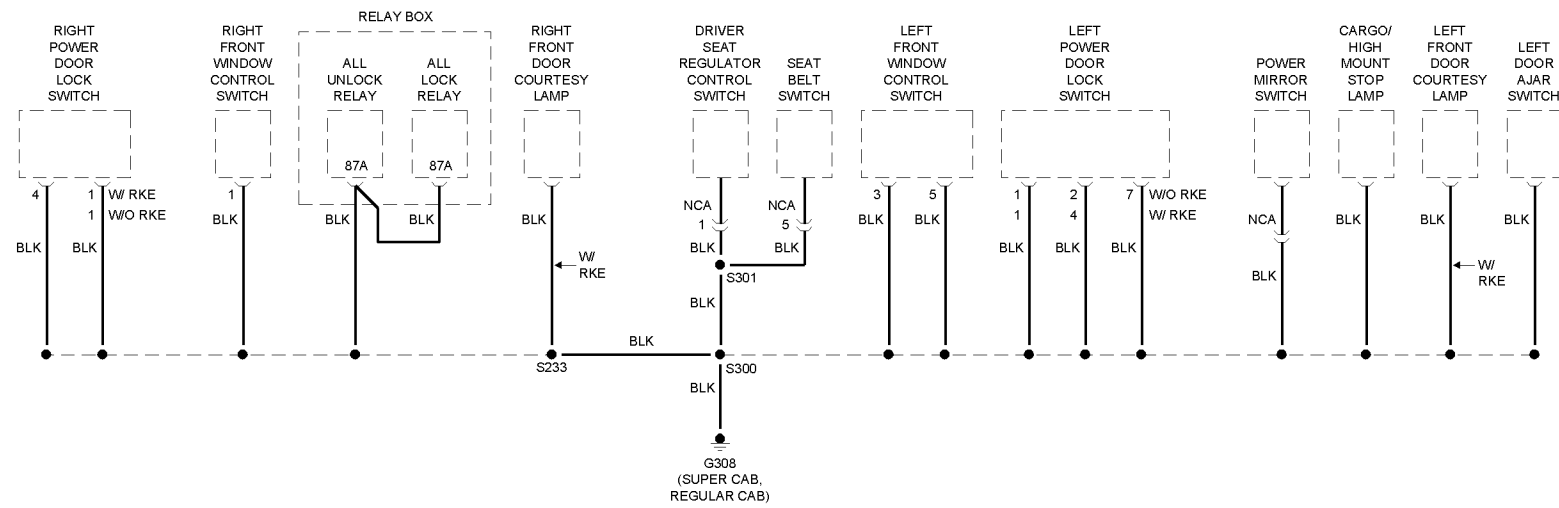
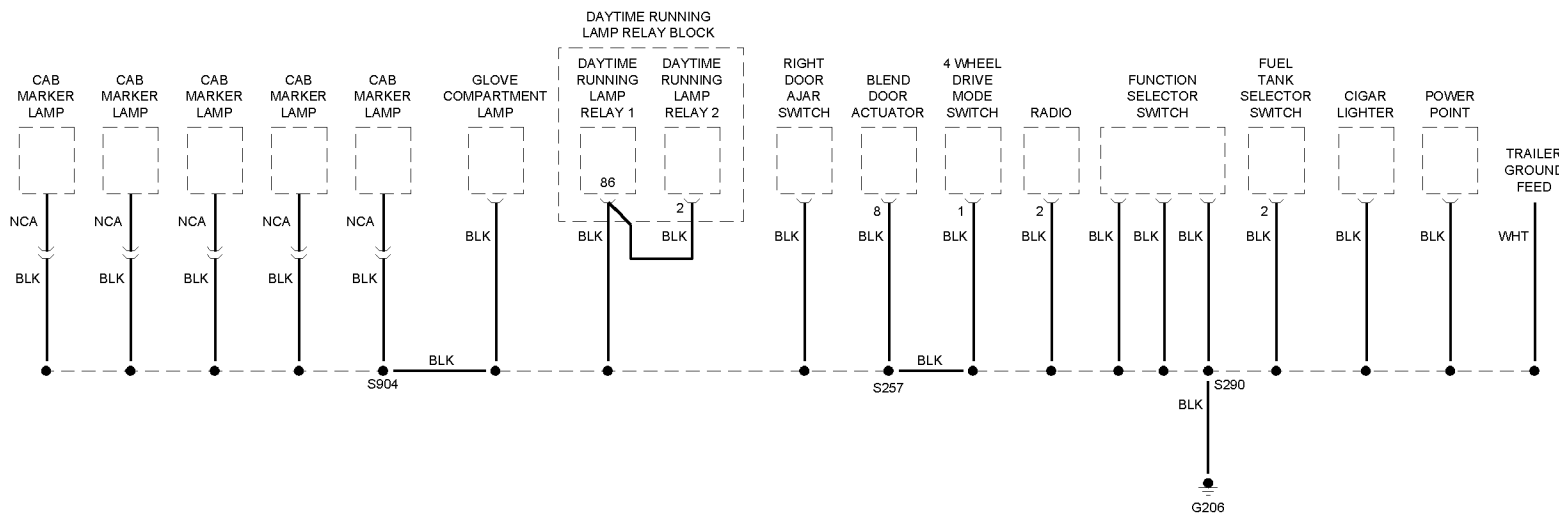


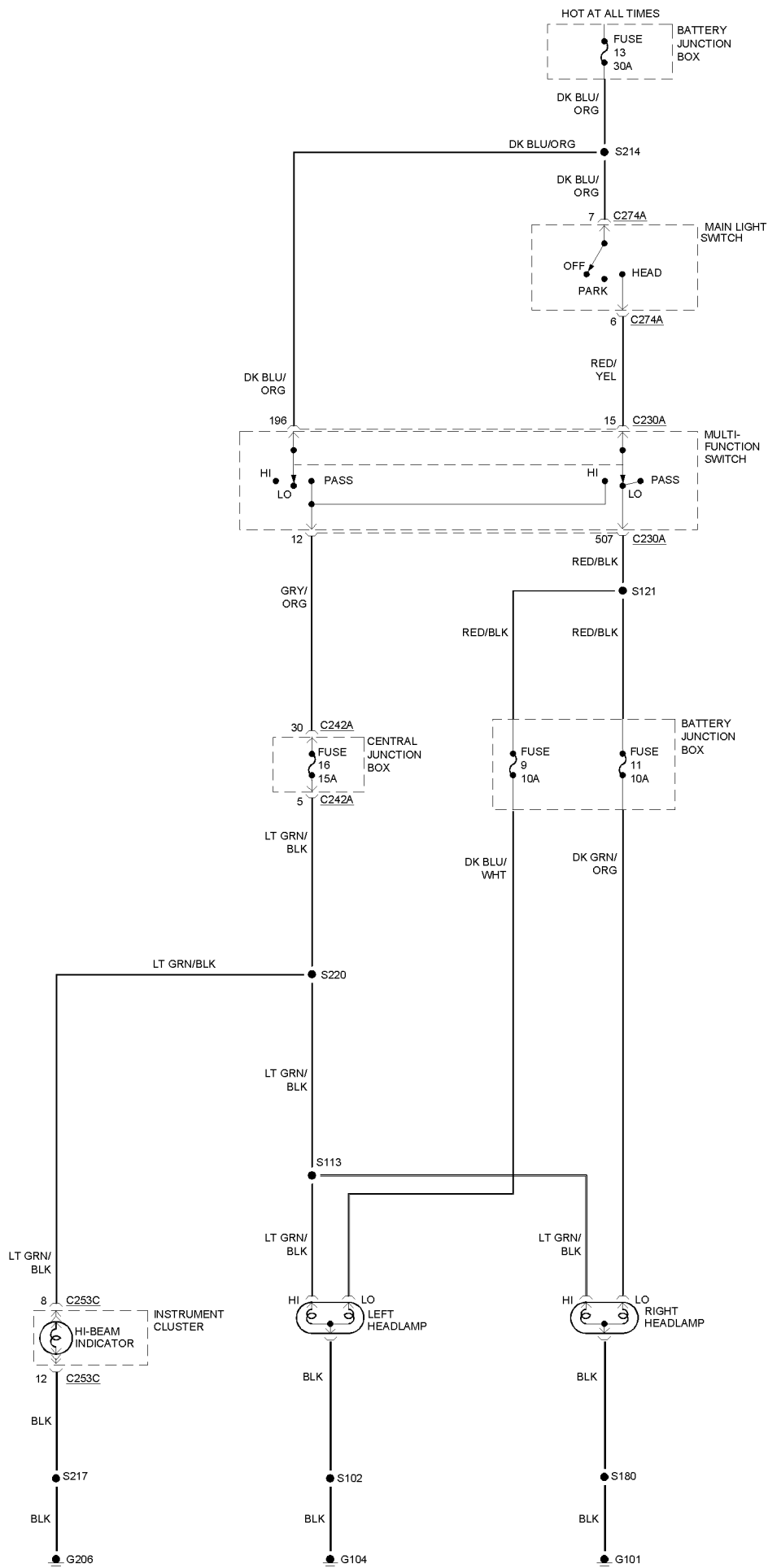


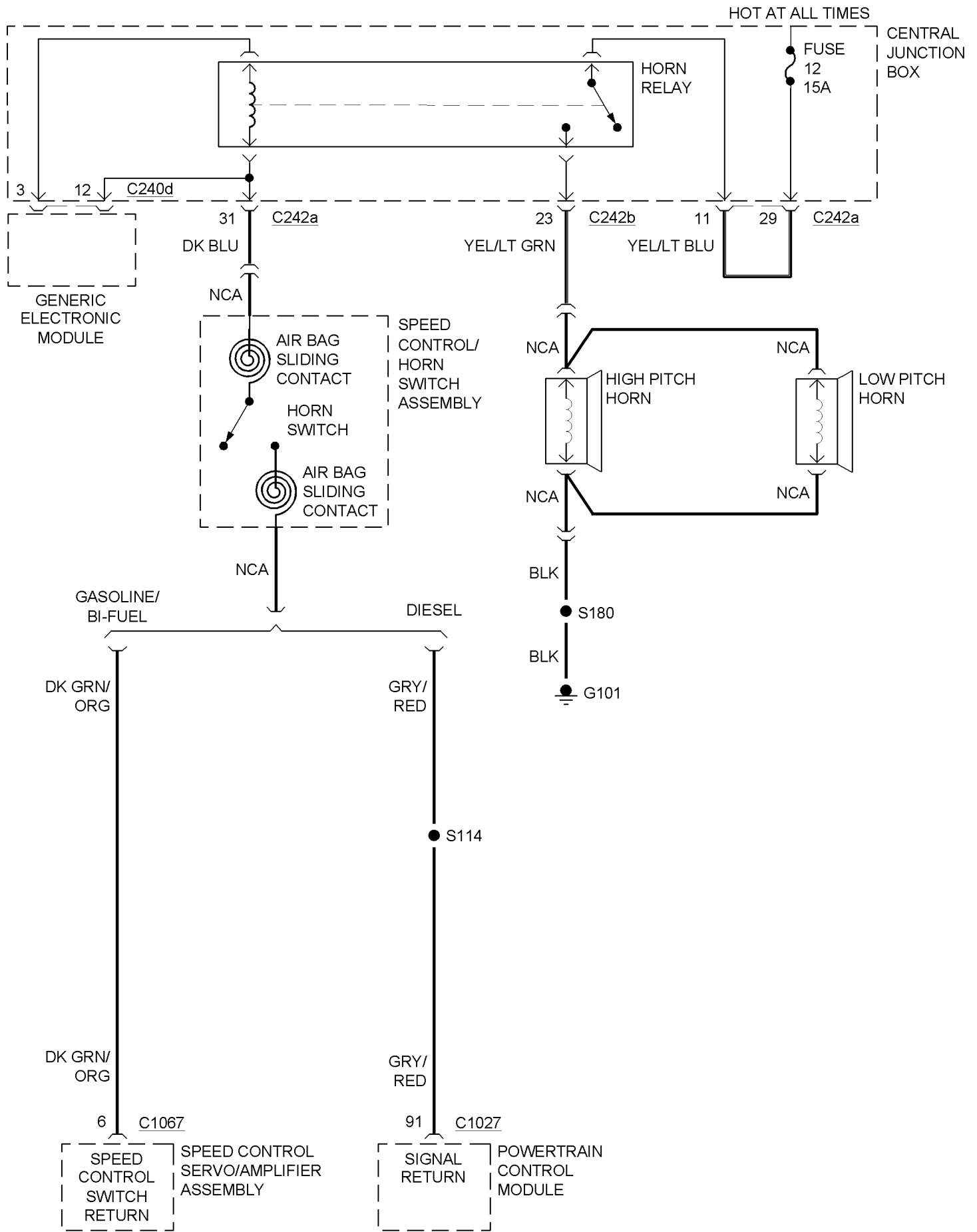


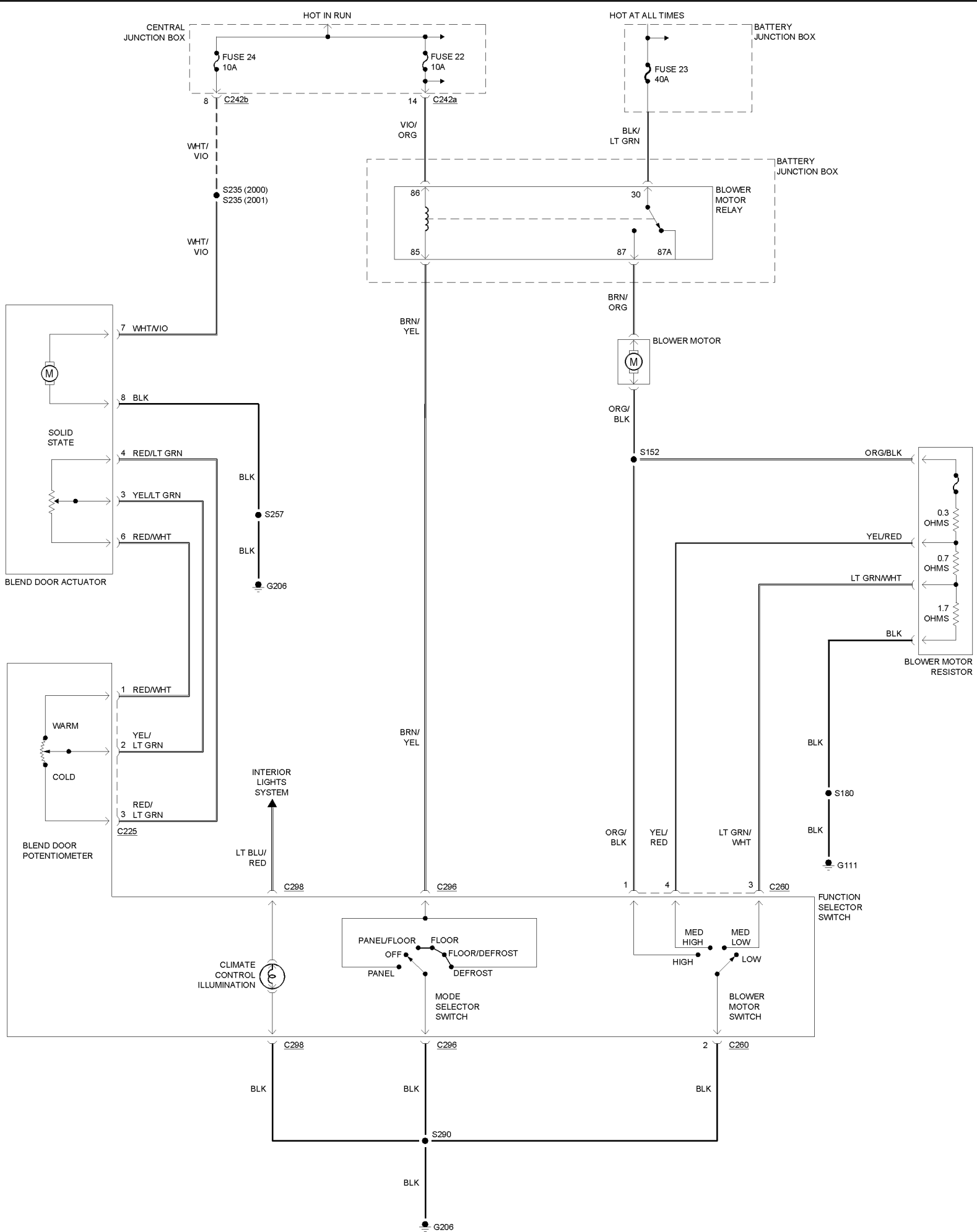




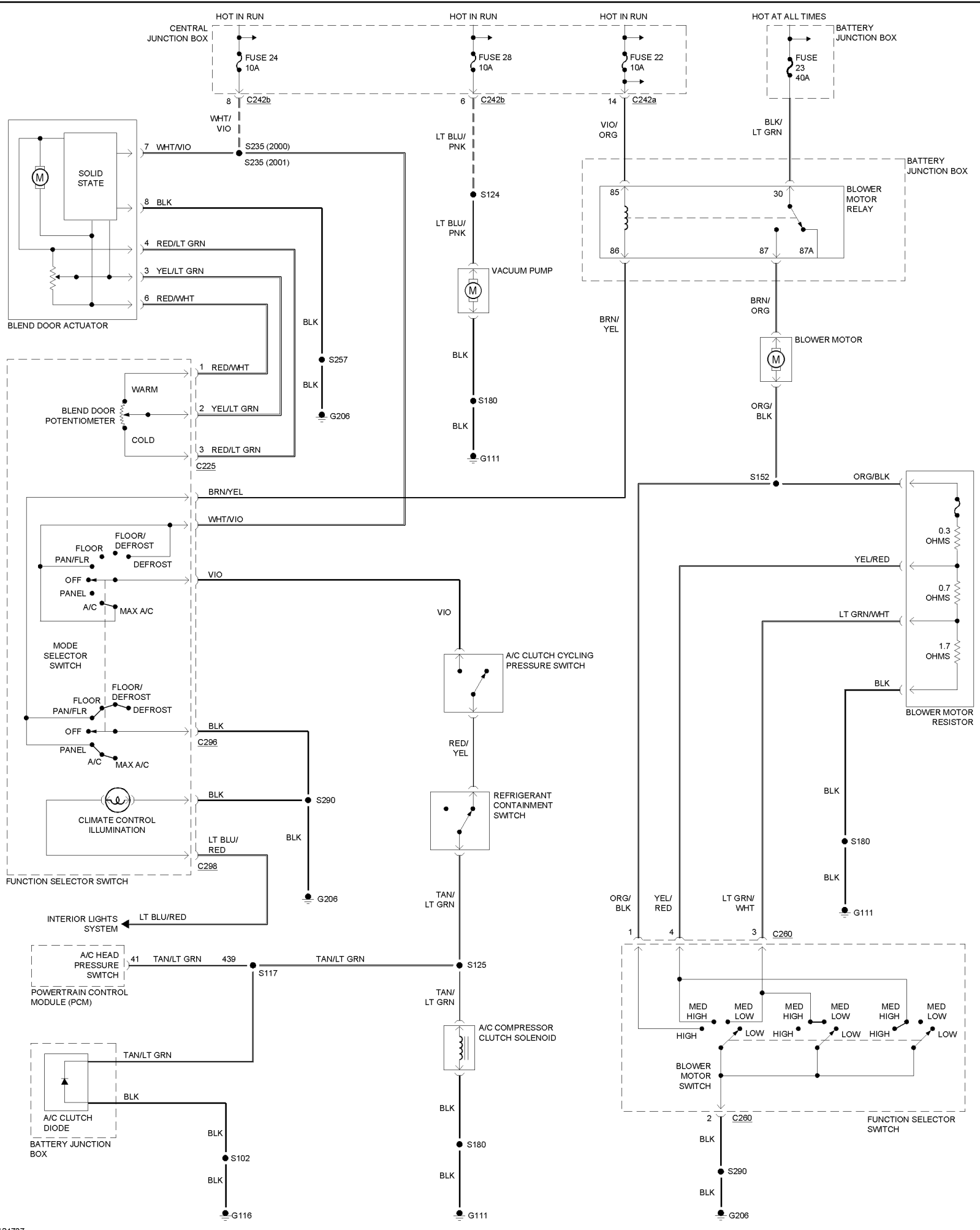


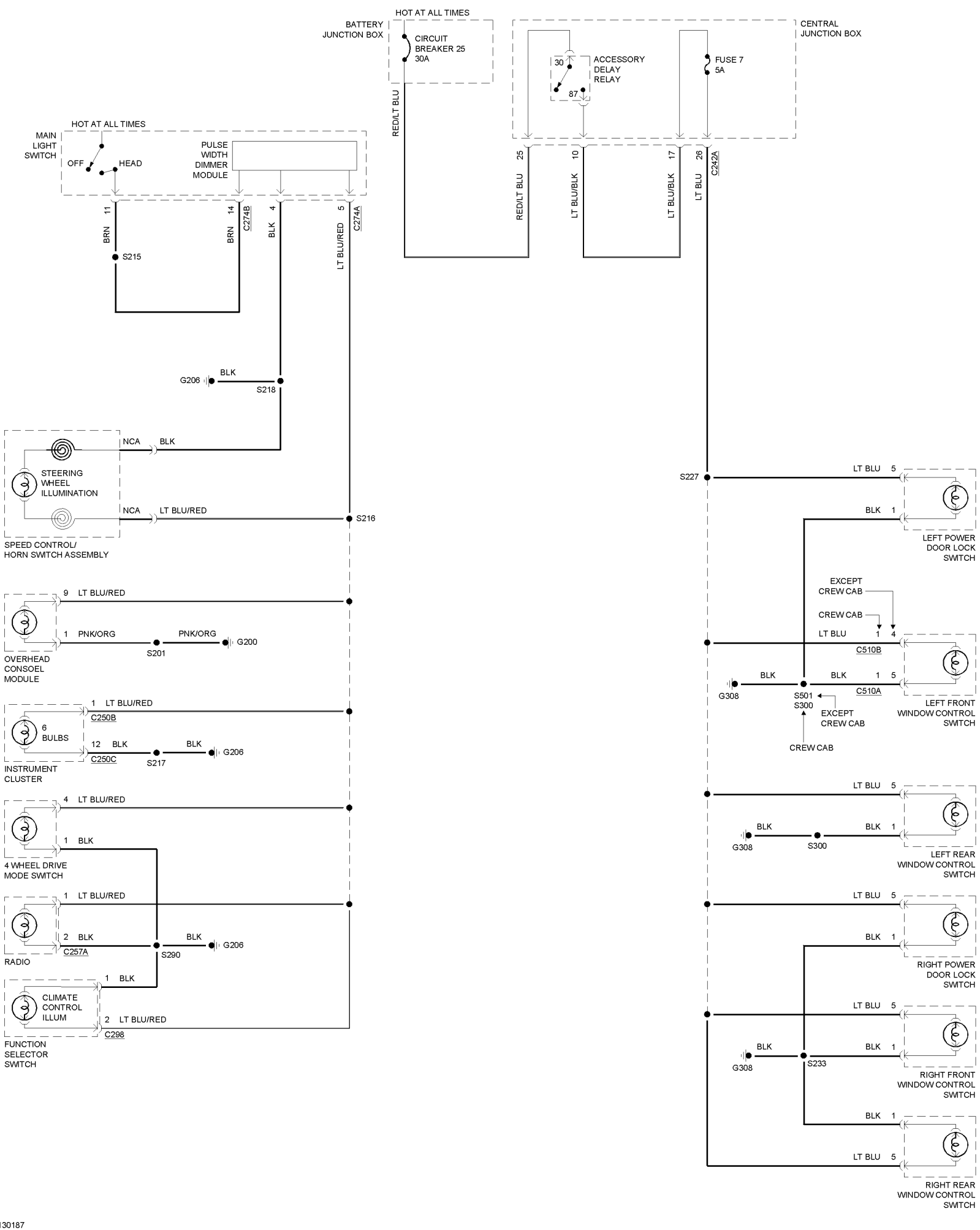


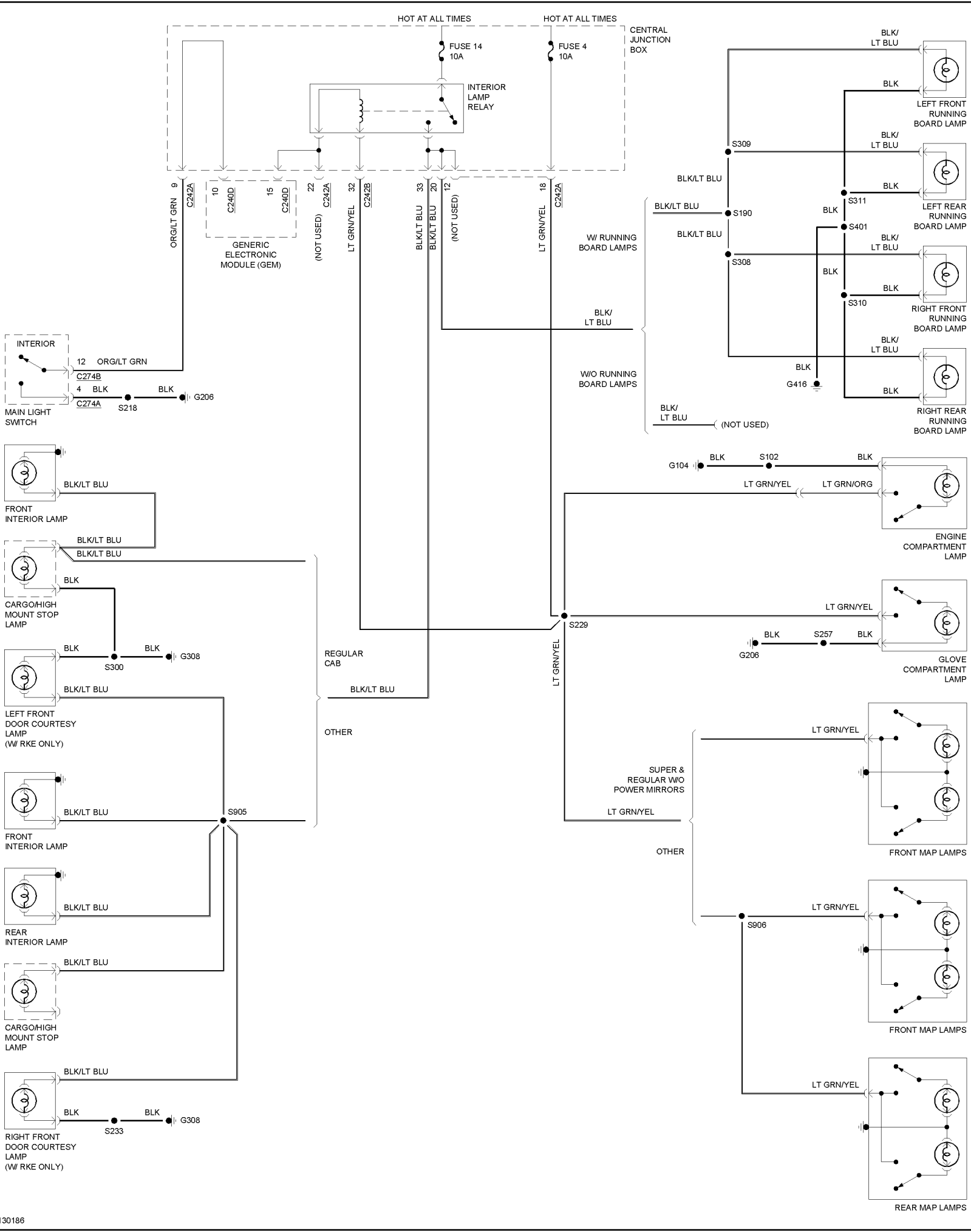


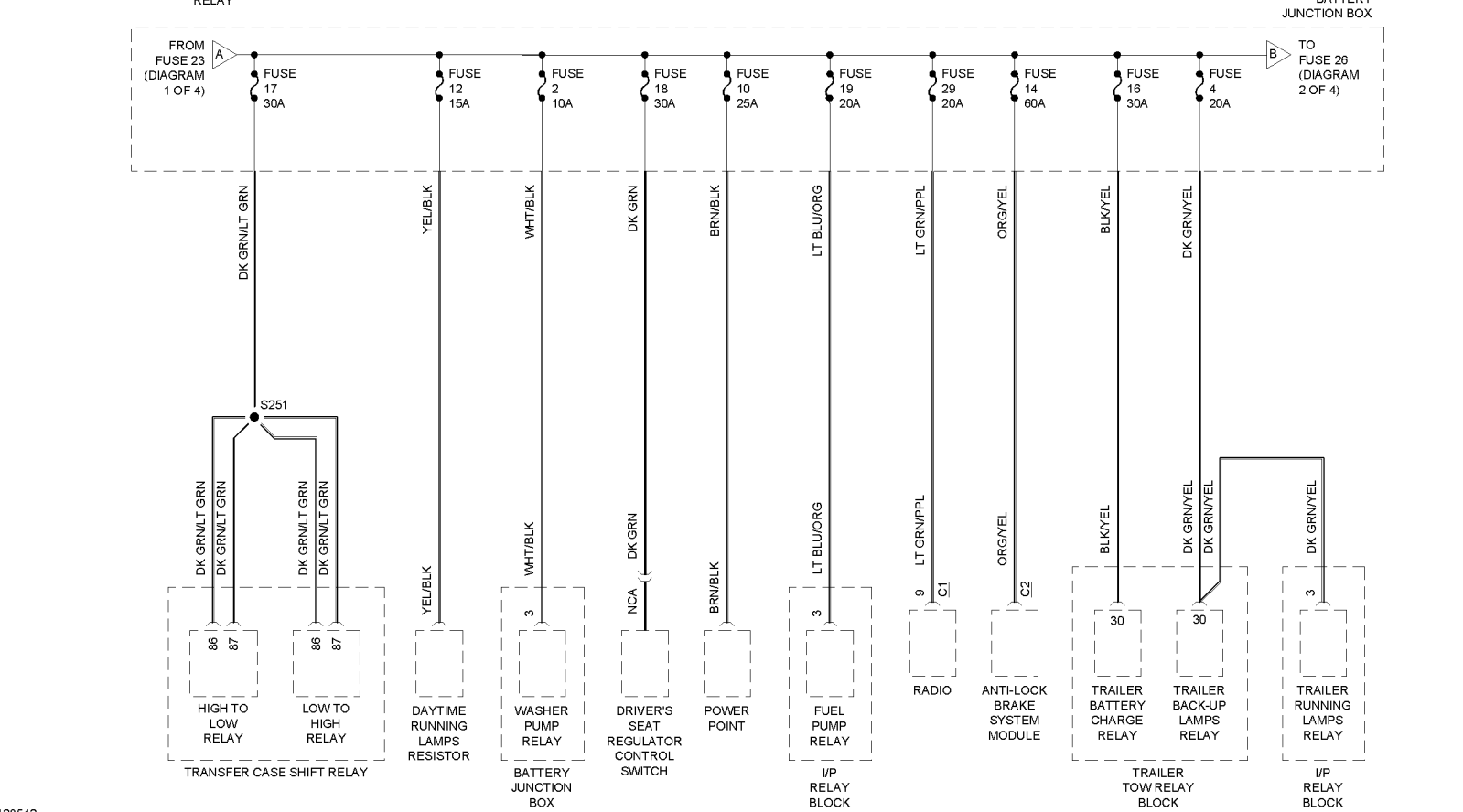
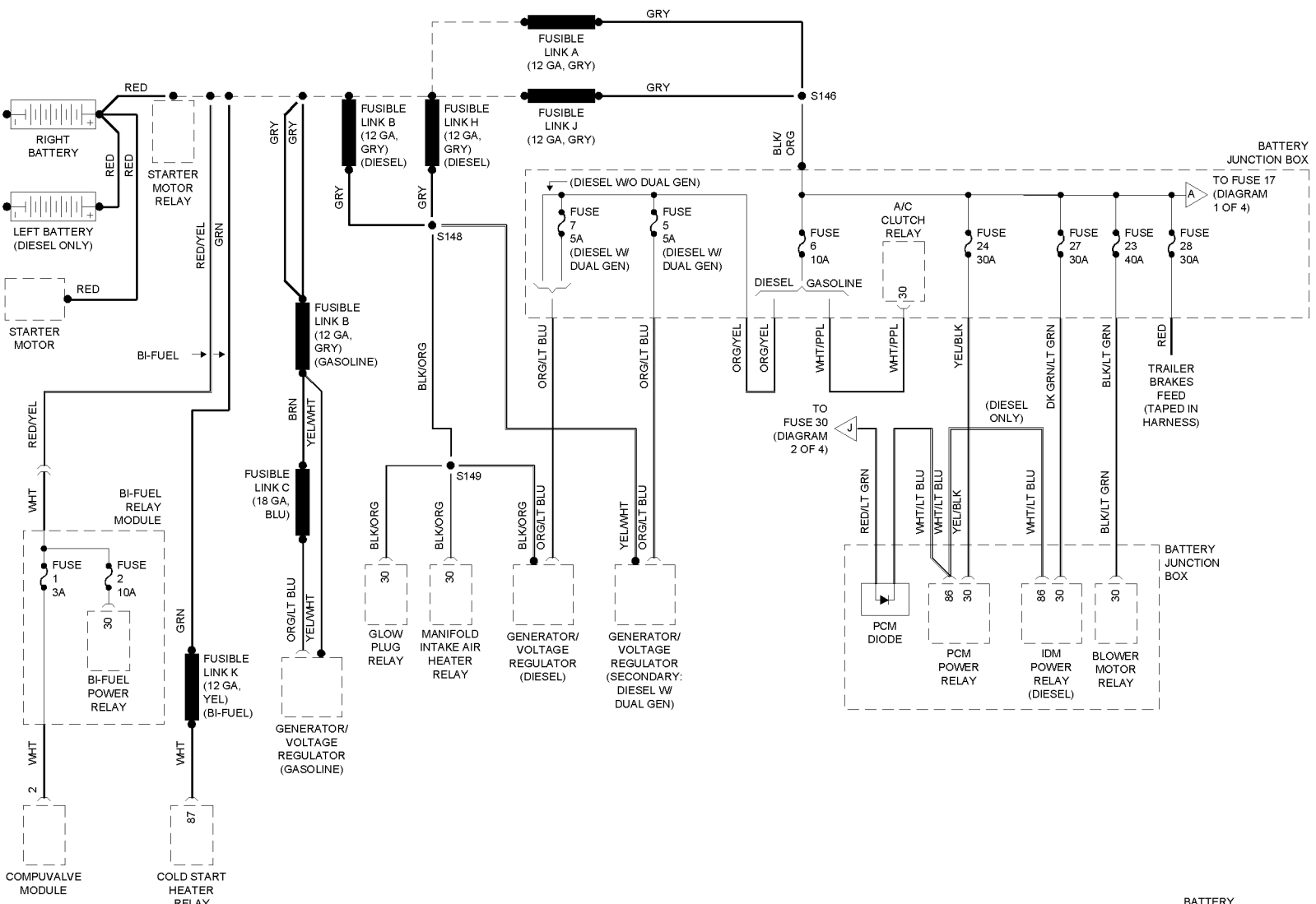


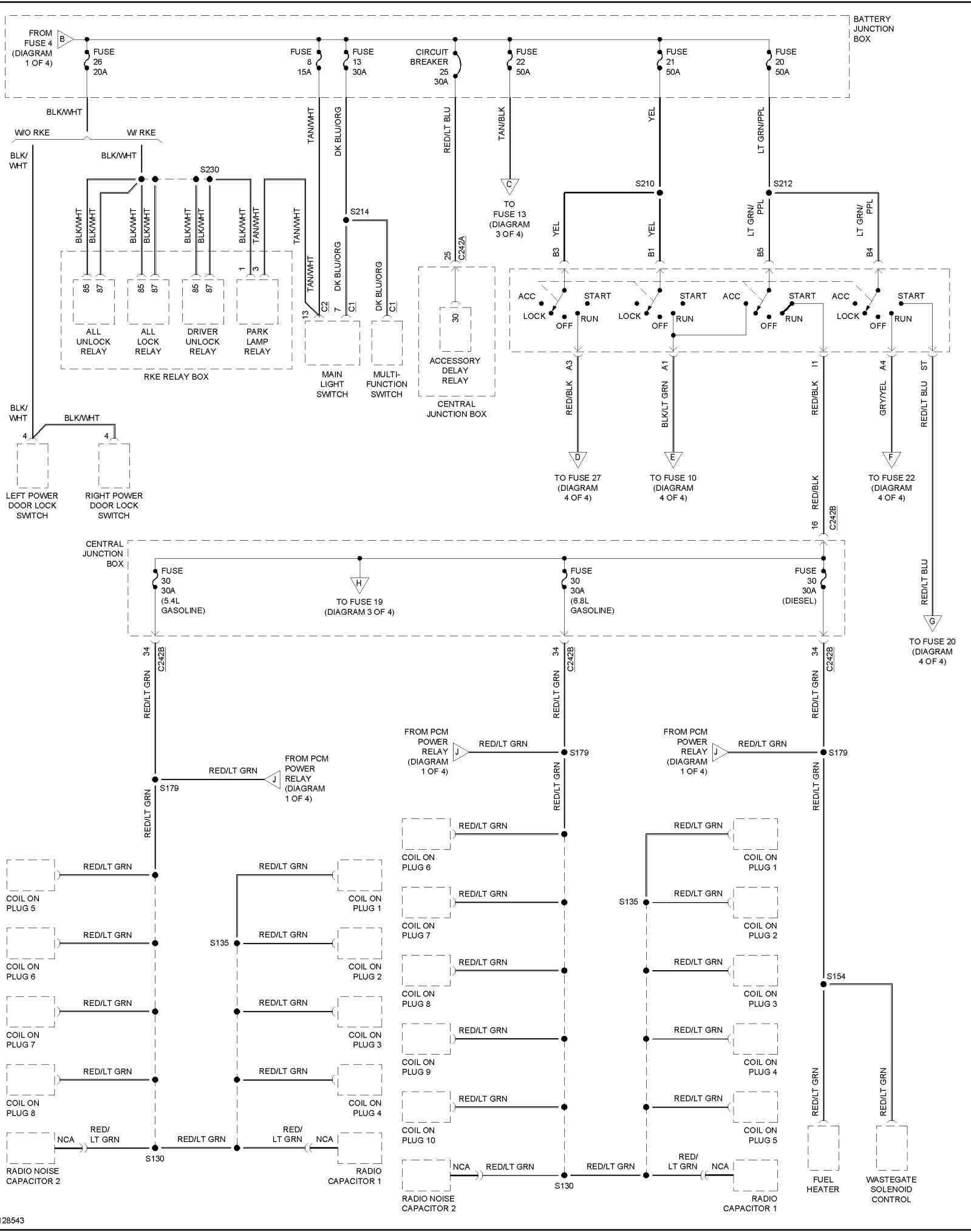


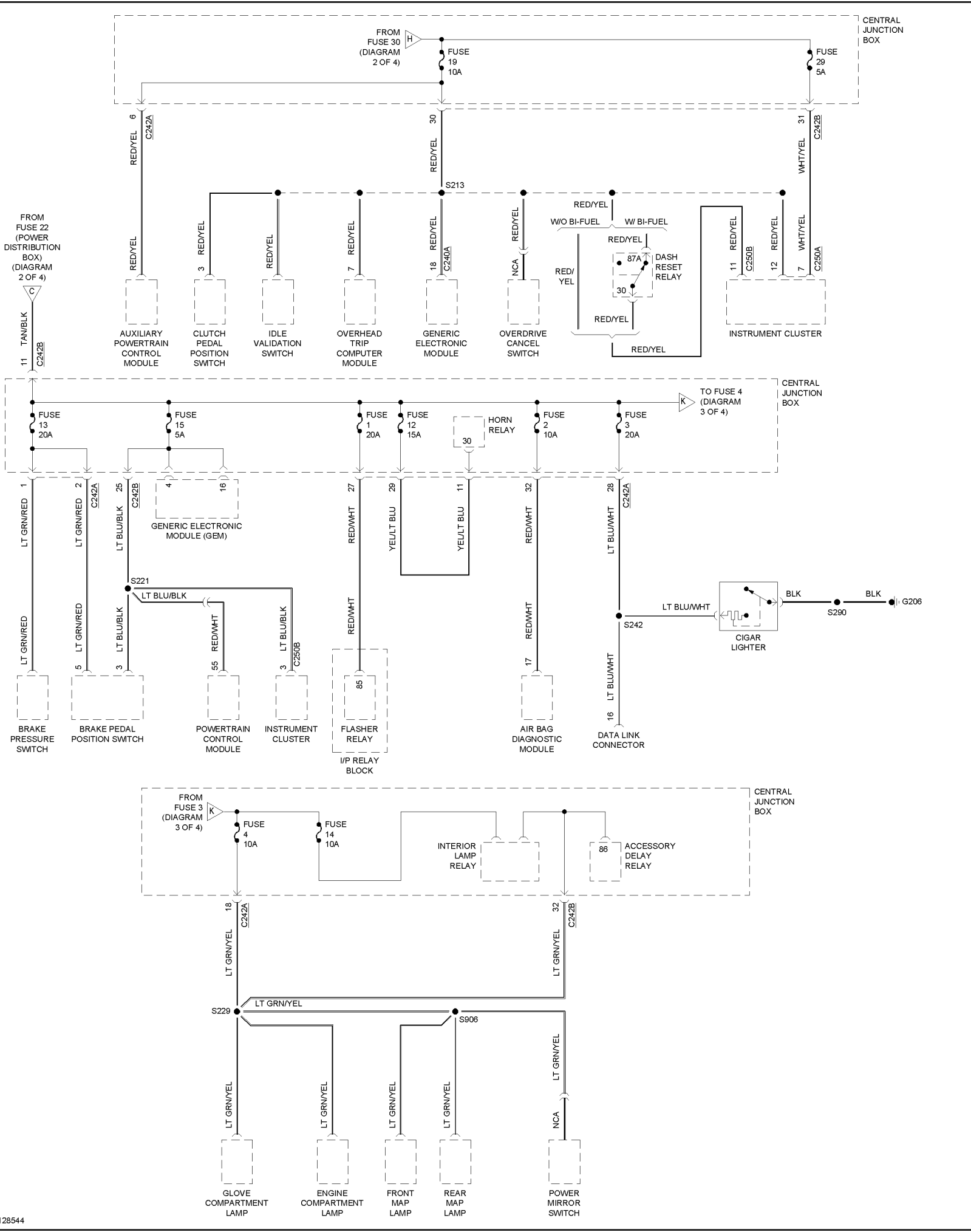


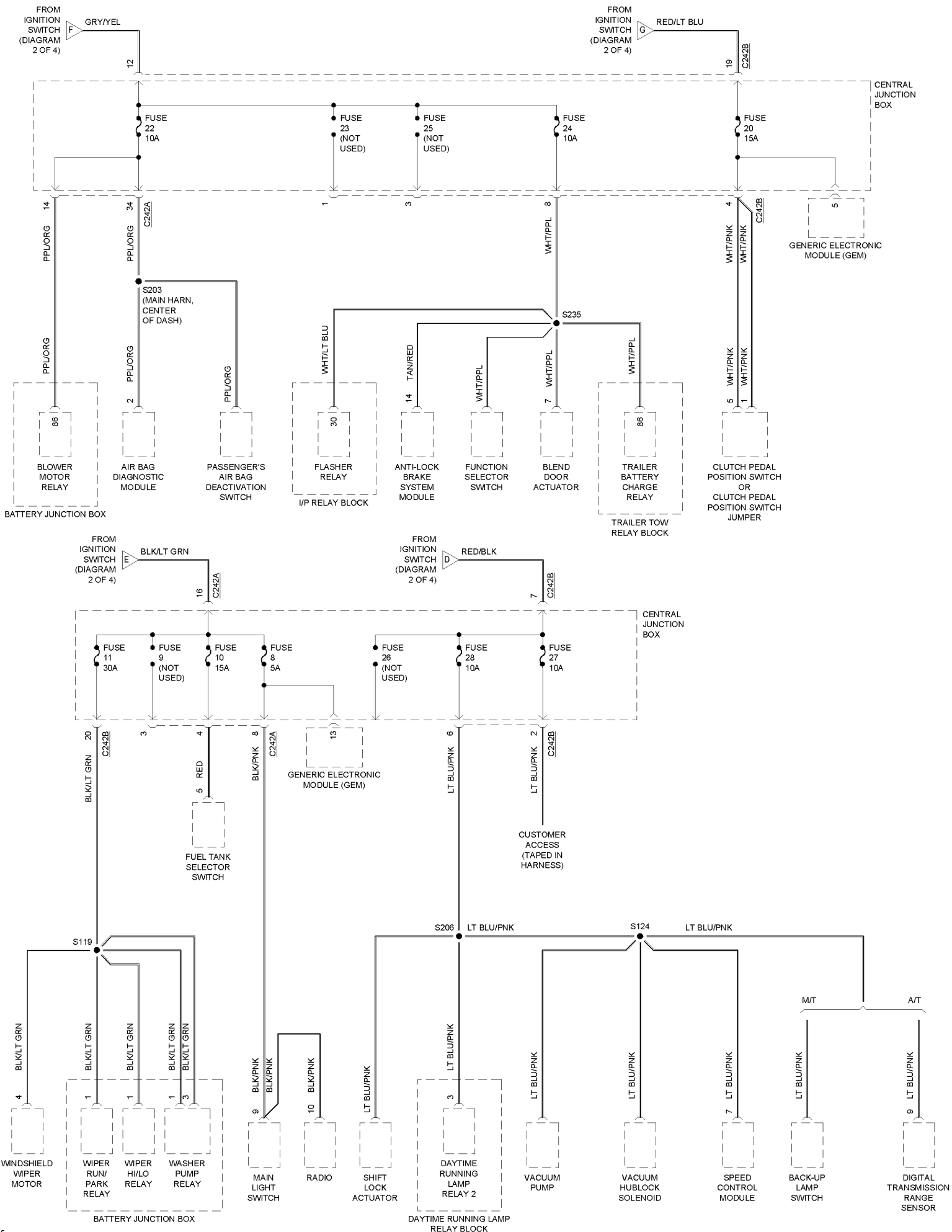


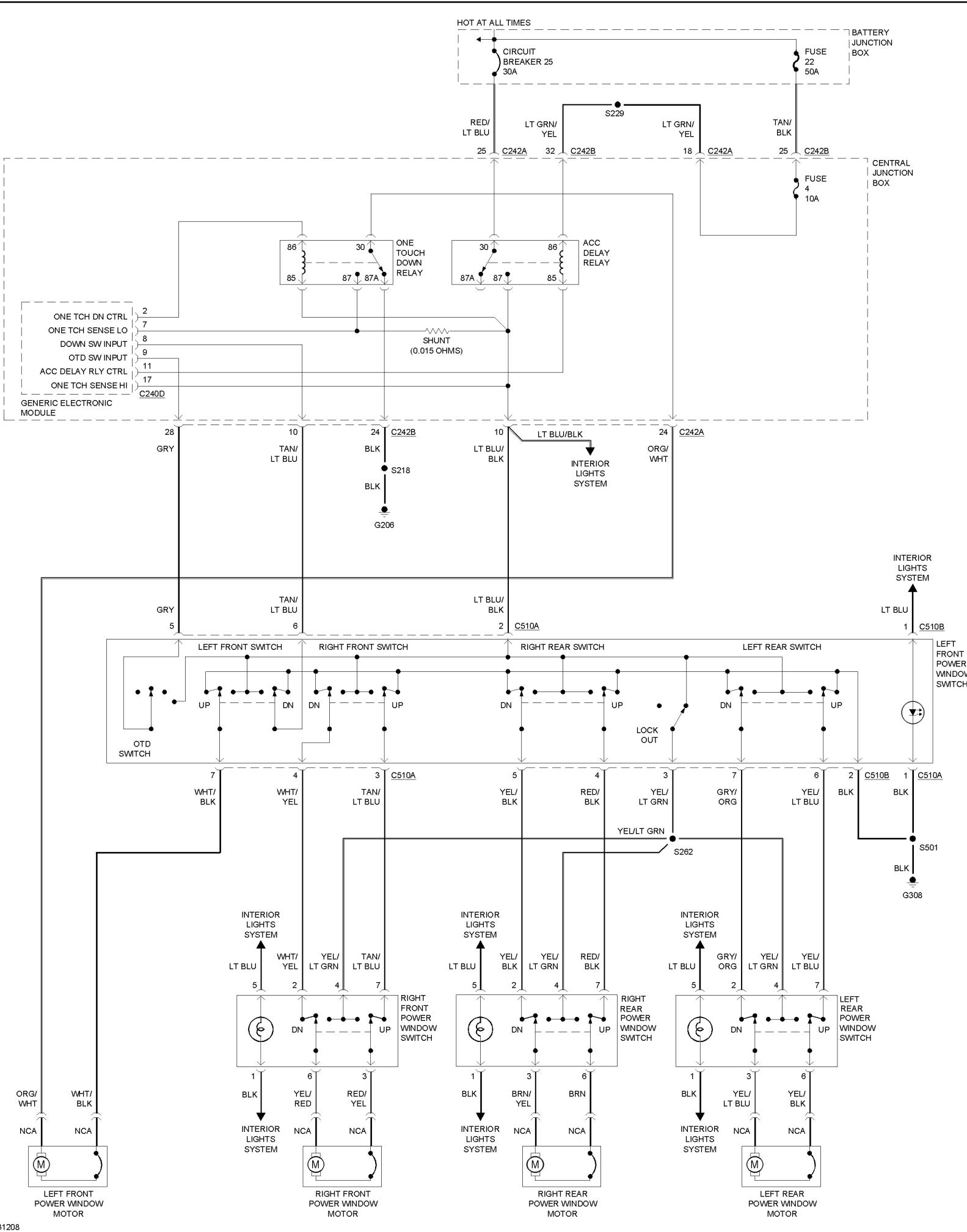




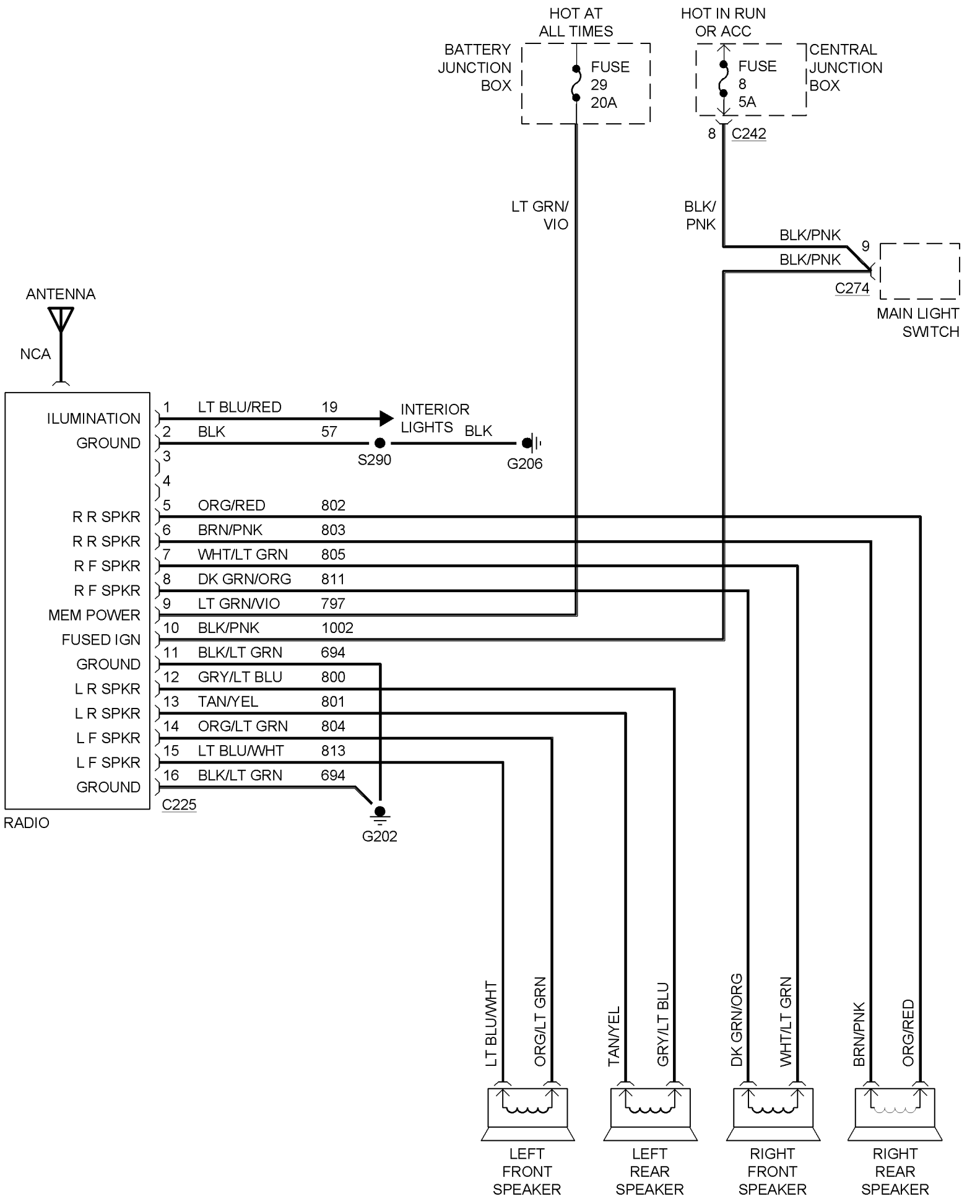


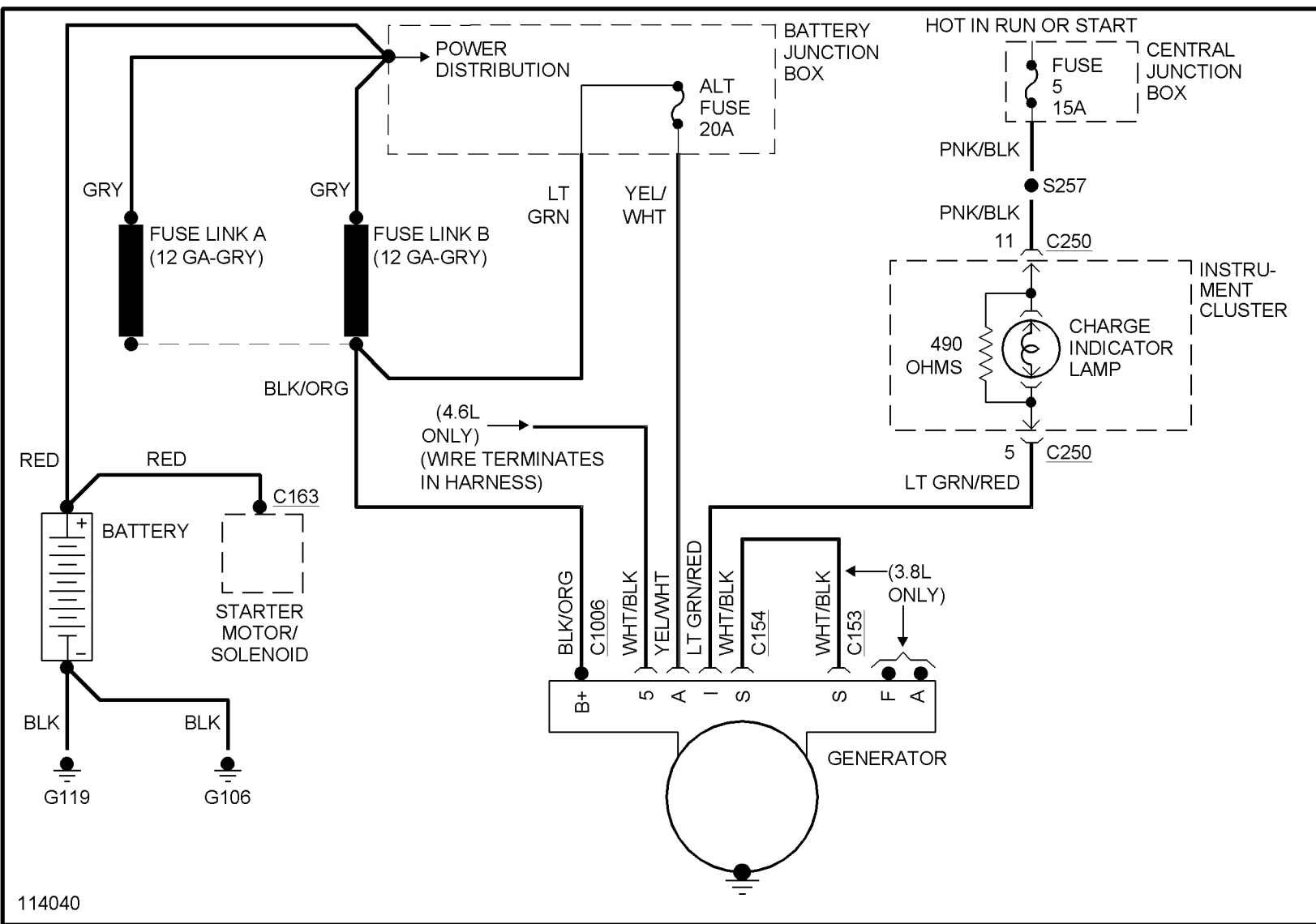


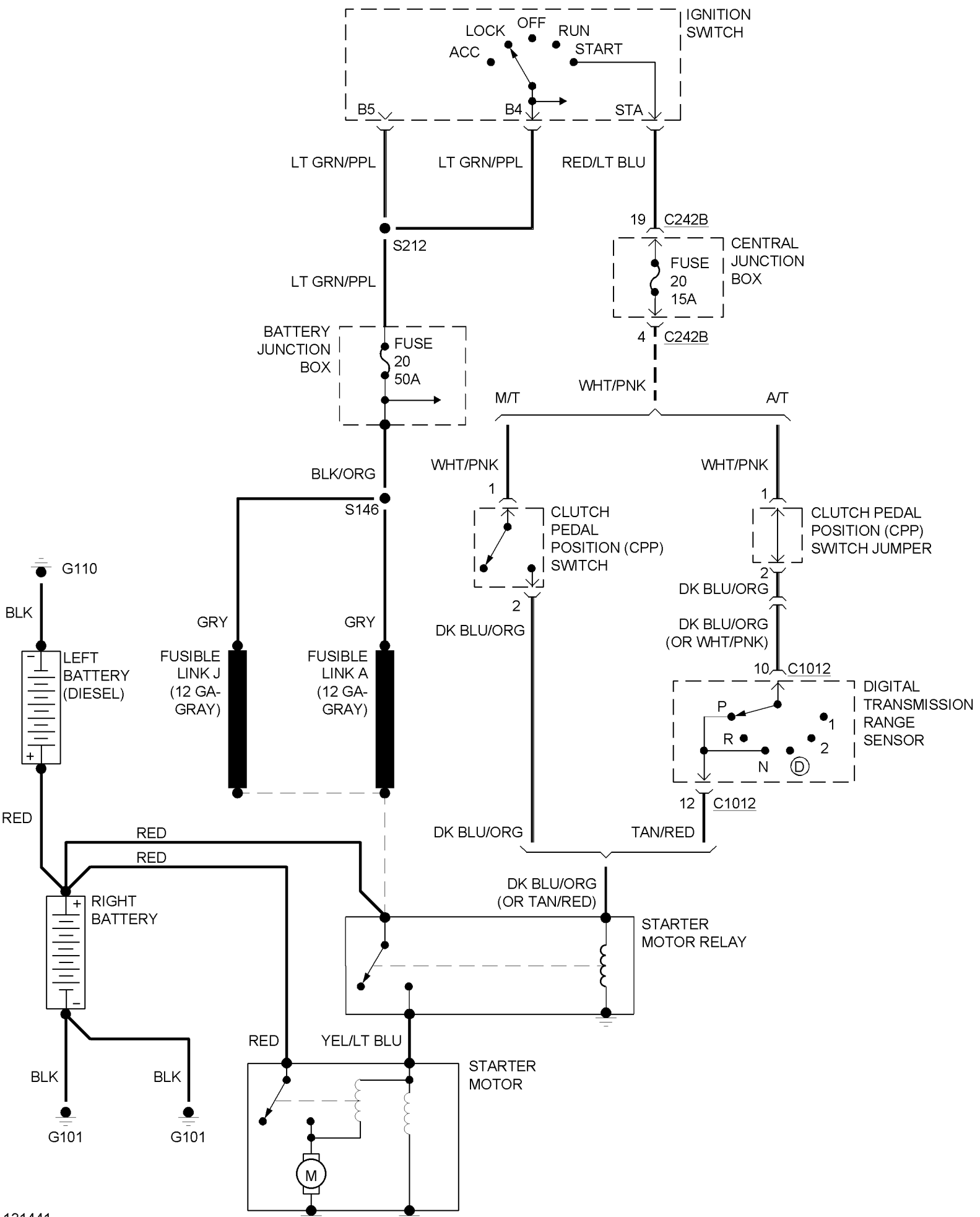




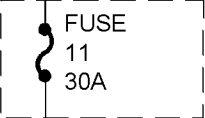








HOT IN RUN OR ACC



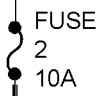
CENTRAL JUNCTION BOX

20 C242B



BATTERY JUNCTION BOX

HOT AT ALL TIMES



WHT/BLK

