



[<-- Return to Parts Index](#)

Dometic Refrigerator - RM3662 & RM3663

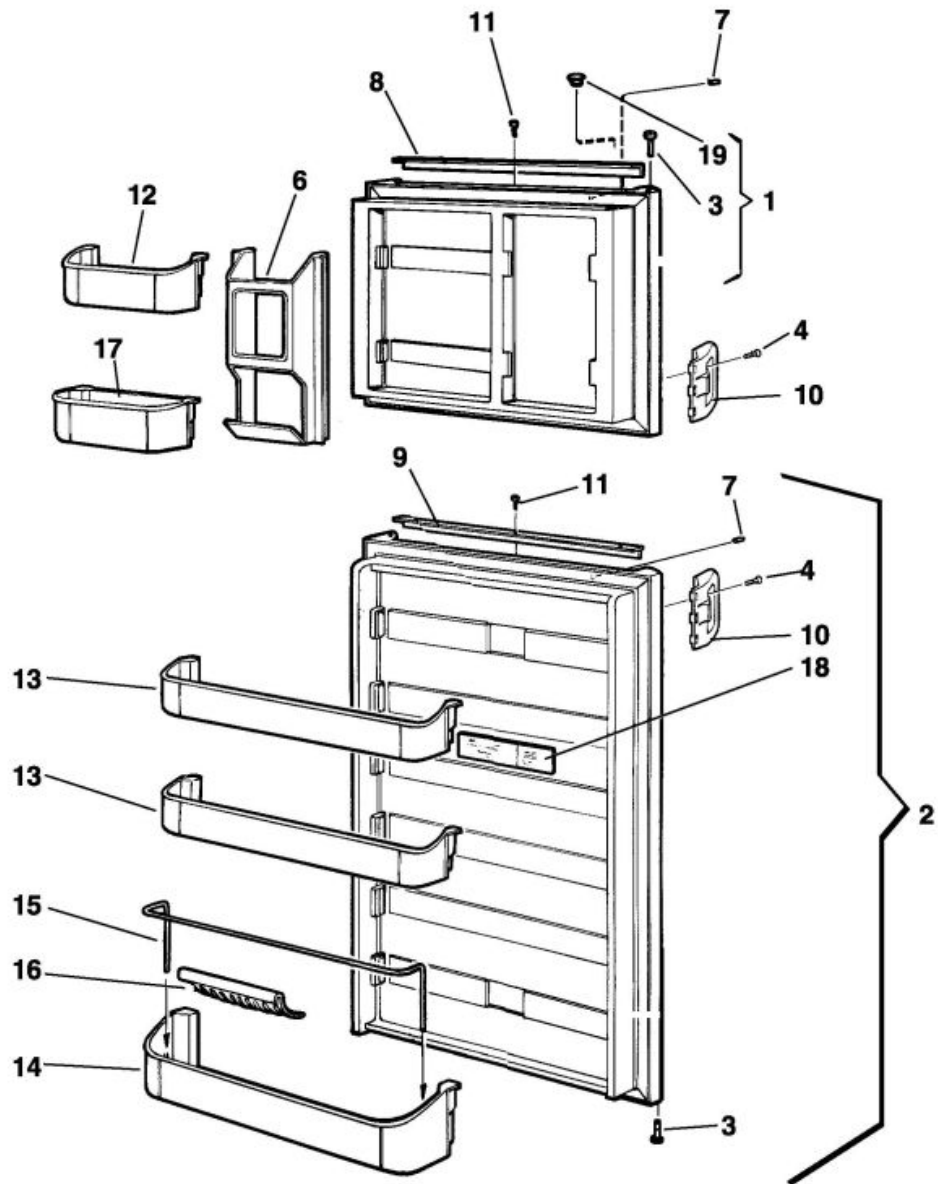
Product Numbers: 921144006, 921144008, 921144010, & 921144012

	Product No.	Model	Voltage V	Door	Market
A	921144006	RM3662	120V	LEFT	US, CA
B	921144008	RM3662	120V	RIGHT	US, CA
C	921144010	RM3663	12/120V	LEFT	US, CA
D	921144012	RM3663	12/120V	RIGHT	US, CA

SPECIFICATIONS

MODEL	RM3662	RM3663
Prod. No.		
RH	921144008	921144012
LH	921144006	921144010
AC Heater		
Watts	325	325
Ohms	44	44
Amps	2.7	2.7
DC Heater		
Watts	— —	215
Amps	— —	18
Gas		
BTU's	1500	1500
Jet	58	58
Flue Baffle		
Size	5-3/16" x 13/16"	
Above burner	1-7/8"	
Crisper	2	2
Ice Trays	0	0
Magic Fingers	2=1 row	2=1 row

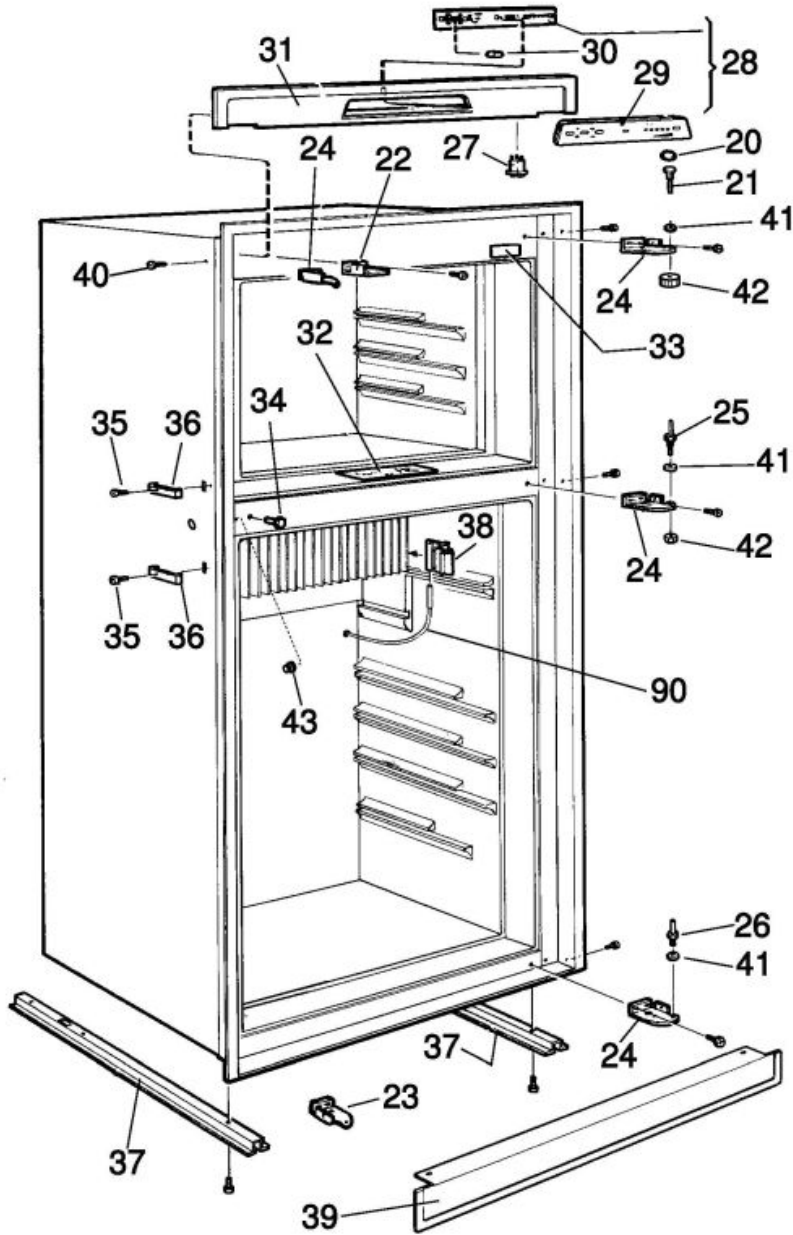
DOOR ASSEMBLY



	Model #	Prod. #
A	RM3662	(921144006)
B	RM3662	(921144008)
C	RM3663	(921144010)
D	RM3663	(921144012)

Index #	Part No.	921144006	921144008	921144010	921144012	Description
		A	B	C	D	
1	2932561059	A	-	C	-	Door, upper, LH
	2932561067	-	B	-	D	Door, upper, RH
2	2932563048	-	B	-	D	Door, lower, RH
	2932563030	A	-	C	-	Door, lower, LH
3	2931171041	A	B	C	D	Hinge, bushing
4	2801048014	A	B	C	D	Screw, PT, 5 x 20
6	2932578012	A	B	C	D	Rack, juice
7	2932588011	A	B	C	D	Pin, stop
8	2932642016	A	B	C	D	Strip, decoration
9	2932642057	A	B	C	D	Strip, decoration w/logo
10	2932852011	A	B	C	D	Handle
11	7295225010	A	B	C	D	Screw, RXS, B4x10, zincplated
12	2932577014	A	B	C	D	Shelf, door, upper
13	2932576024	A	B	C	D	Shelf, door 3 pieces
14	2932575026	A	B	C	D	Shelf, door
15	2932585017	A	B	C	D	Rack, wire
16	2932658012	A	B	C	D	Holder, bottle 2 pieces
17	2932579010	A	B	C	D	Bin, ice
18	2932722008	A	B	C	D	Decal, Caution
19	2932740018	A	B	C	D	Plug

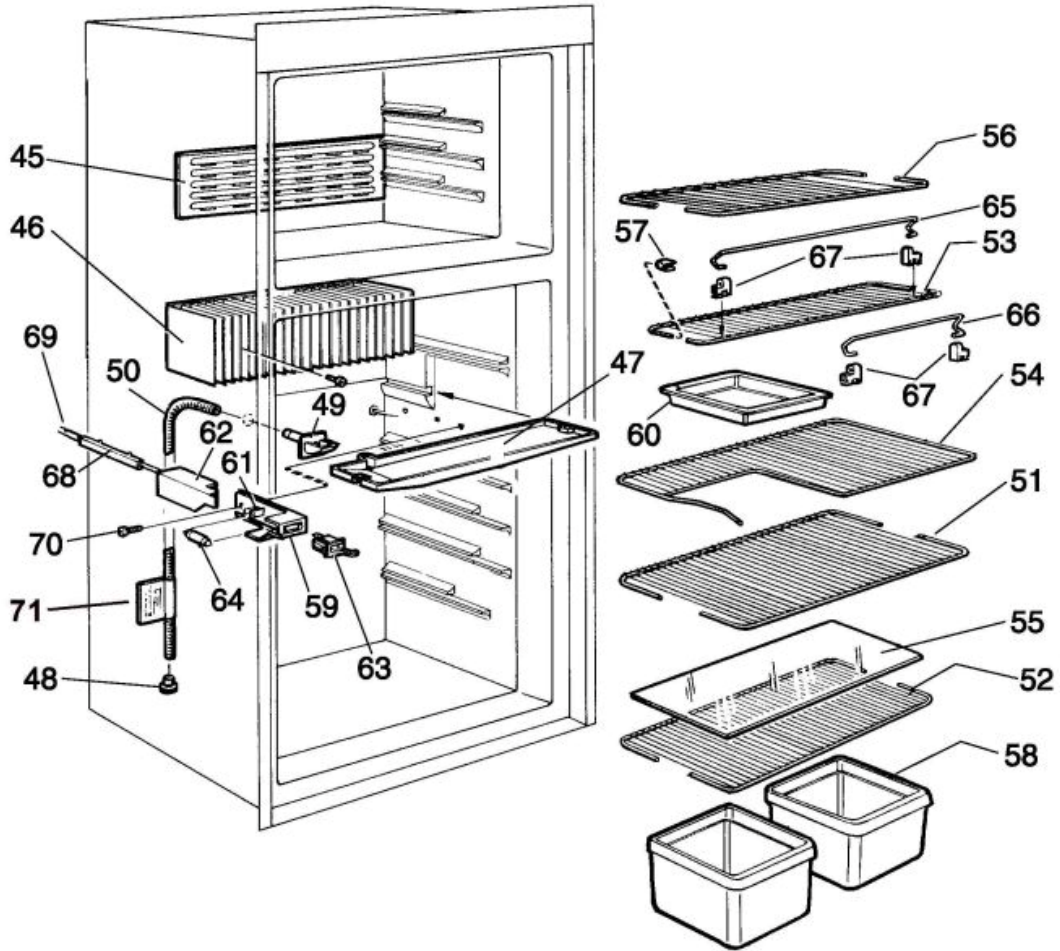
CABINET EXTERIOR COMPONENTS



A	=	Model #	Prod. #
B	=	RM3662	(921144006)
C	=	RM3662	(921144008)
D	=	RM3663	(921144010)
		RM3663	(921144012)

Index #	Part No.	921144006	921144008	921144010	921144012	Description
		A	B	C	D	
20	2932736016	A	B	C	D	Plug
21	2932647015	A	B	C	D	Hinge pin, upper
22	2932644012	A	-	C	-	Bracket, LH
	2932644020	-	B	-	D	Bracket, RH
23	2932643022	A	-	C	-	Hinge, LH upper & lower (2 req.)
24	2932643014	A	B	C	D	Hinge, RH (3 req.); LH middle (1 req.)
25	2932648013	A	B	C	D	Hinge pin, middle
26	2932649011	A	B	C	D	Hinge pin, lower
27	2932680016	A	B	C	D	Switch, door
28	2932697077	A	B	-	-	Asm., board 2-way upper
	2932697093	-	-	C	D	Asm., board 3-way upper
29	0955024484	A	B	-	-	Decal, upper board 2-way
	0955024492	-	-	C	D	Decal, upper board 3-way
30	0955024138	A	B	C	D	Button
31	2932641018	A	B	C	D	Cover, front
32	2932685007	-	-	C	D	Decal, 3-way
	2932684000	A	B	-	-	Decal, 2-way
33	2932779008	A	B	C	D	Decal
34	2932742014	A	B	C	D	Plug
35	7295275017	A	B	C	D	Screw, RXS, B6x10 zincplated
36	2932855014	A	B	C	D	Catch lever
37	2932660018	A	B	C	D	Runner
38	2931976019	A	B	C	D	Bracket, thermistor
39	2932690023	A	B	C	D	Base, front
40	7241283014	A	B	C	D	Screw
41	7344904037	A	B	C	D	Washer
42	7314316014	A	B	C	D	Nut
43	2930740044	A	B	C	D	Plug
90	2931863035	A	B	C	D	Thermistor
Customer Option:						
	2932750041	-	B	-	D	Kit, door, reversing (right to left)
	2932750051	A	-	C	-	Kit, door reversing (left to right)

CABINET INTERIOR COMPONENTS



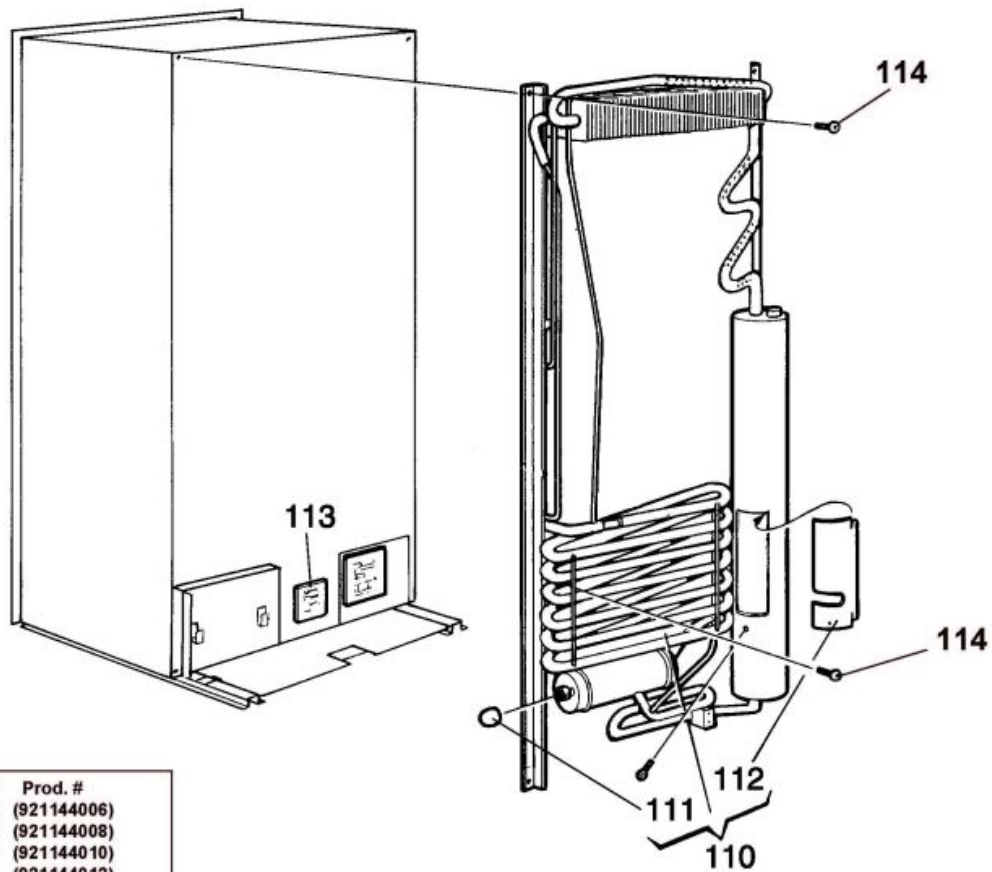
A	=	RM3662	(921144006)
B	=	RM3662	(921144008)
C	=	RM3663	(921144010)
D	=	RM3663	(921144012)

Index #	Part No.	921144006	921144008	921144010	921144012	Description
		A	B	C	D	
45	2932728013	A	B	C	D	Cover, freezer
46	2932630011	A	B	C	D	Cooling flange
47	2932624014	A	B	C	D	Drip protection
48	2932115013	A	B	C	D	Plug
49	2932635010	A	B	C	D	Cup, drain
50	2932749019	A	B	C	D	Hose, drainage
51	2932625011	A	B	C	D	Shelf, wire
52	2932625037	A	B	C	D	Shelf, wire
53	2932625078	A	B	C	D	Shelf, wire
54	2932626019	A	B	C	D	Shelf, wire
55	2931117085	A	B	C	D	Shelf, plastic
56	2932627017	A	B	C	D	Shelf
57	2932668011	A	B	C	D	Shelf support
58	2932621028	A	B	C	D	Crisper (2 pieces)
59	2932523018	A	B	C	D	Lamp socket
60	2932636018	A	B	C	D	Tray, shelf
61	2932108018	A	B	C	D	Contact pin
62	2932106012	A	B	C	D	Lamp cover
63	2932665017	A	B	C	D	Switch
64	2007290006	A	B	C	D	Lamp, 10W, 12V
65	2007337039	A	B	C	D	Bar, L=approx. 15"
66	2007337104	A	B	C	D	Bar, wire shelf
67	2930693045	A	B	C	D	Retainer, rack
68	2004056046	A	B	C	D	Cover
69	2954432015	A	B	C	D	Lead, light
70	7295283407	A	B	C	D	Screw, RXS, B6x16, FN
71	2932732007	A	B	C	D	Label

	Model #	Prod. #
A =	RM3662	(921144006)
B =	RM3662	(921144008)
C =	RM3663	(921144010)
D =	RM3663	(921144012)

Index #	Part No.	921144006	921144008	921144010	921144012	Description
		A	B	C	D	
75	0140207044	A	B	C	D	Nut, orifice
76	See Index #83	A	B	C	D	Lead, electrode
77	2932603018	A	B	C	D	Burner housing
78	7241287619	A	B	C	D	Screw, M4x8, zincplated
79	7241289615	A	B	C	D	Screw, MRX, M4x10, zincplated
80	2932615012	A	B	C	D	Valve, solenoid
81	7345842012	A	B	C	D	Washer
82	2930697079	A	B	C	D	Burner with conductor
83	2932781012	A	B	C	D	Electrode with conductor
84	7295221019	A	B	C	D	Screw, RXS, B4x6,5, zincplated
85	2007419217	A	B	C	D	Jet No. 58
86	2932052018	A	B	C	D	Thermocouple
87	2932695014	A	B	-	-	Circuit board, complete, 2-Way
	2931843045	-	-	C	D	Circuit board, complete, 3-Way
88	2931858019	A	B	C	D	Cover
89	2931862037	A	B	C	D	Lead, 5-wire
90	2931863035	A	B	C	D	Thermistor, w/lead, 44"
91	2954437030	A	B	C	D	Harness, gas solenoid
92	2931886010	A	B	C	D	Cover, ignitor
93	2932661016	A	B	C	D	Cover, burner housing
94	2932662014	A	B	C	D	Bracket, gas fitting
95	0173742180	A	B	C	D	Heater, 325W, 120V
96	0173757089	-	-	C	D	Heater, 215W, 12V
97	2007457001	A	B	C	D	Washer, orifice
98	2930463019	A	B	C	D	Terminal block
99	7295287408	A	B	C	D	Screw, RXS, B6x25, stainless
100	2932687011	A	B	C	D	Plate, DC wire conn
101	0561014010	A	B	C	D	Clamp, saddle (strain relief)
102	7295285402	A	B	C	D	Screw, RXS, B6x19, stainless
103	2931132019	A	B	C	D	Spark ignition device
104	2932667039	A	B	C	D	Baffle
105	2002699060	A	B	C	D	Cord, power
106	0169380003	A	B	C	D	Plug, test port
107	2943542007	A	B	C	D	Fuse, 5-amp
108	2943541009	A	B	C	D	Fuse, 3-amp
109	0955036124	-	-	C	D	Fuse, 35-amp
120	2801043015	A	B	C	D	Nut
121	2932733005	A	B	C	D	Label

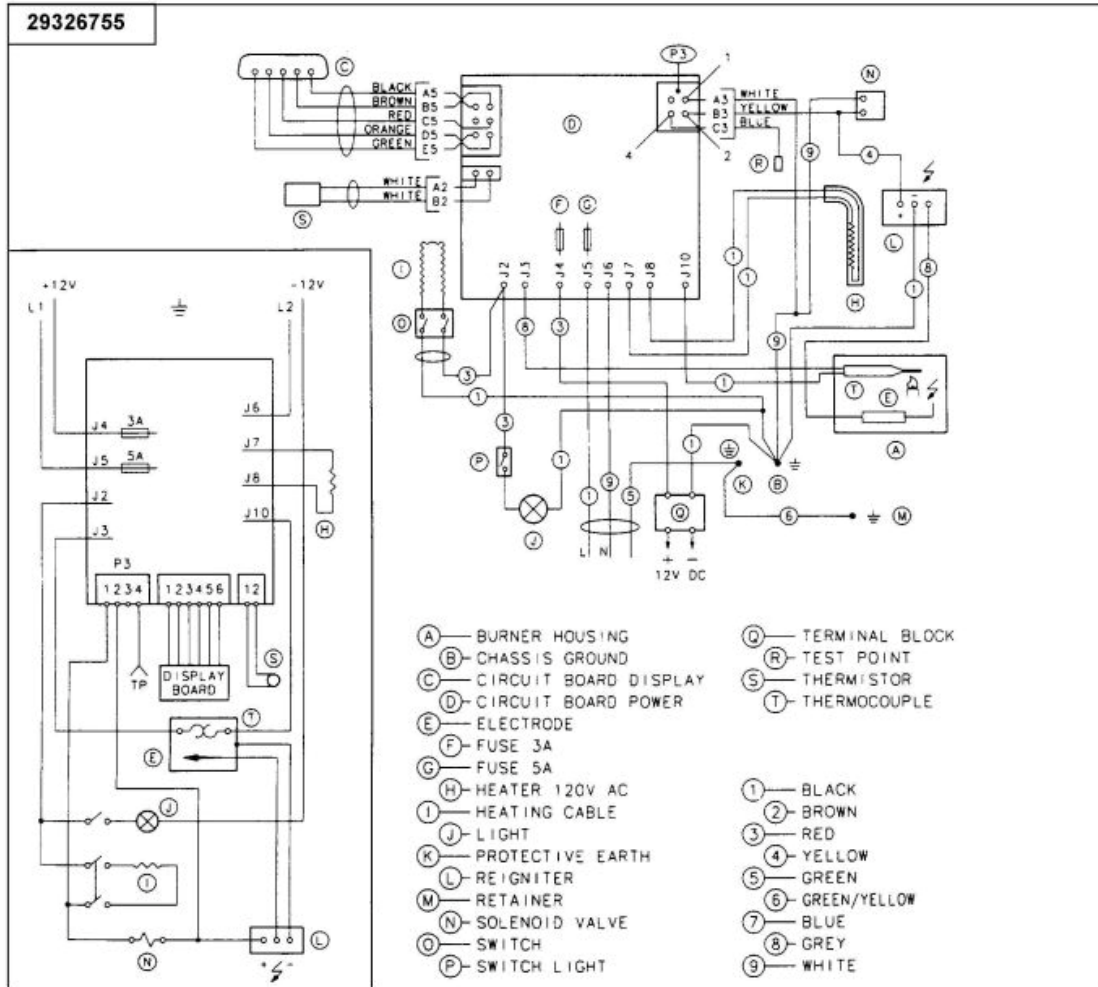
CABINET, REAR VIEW



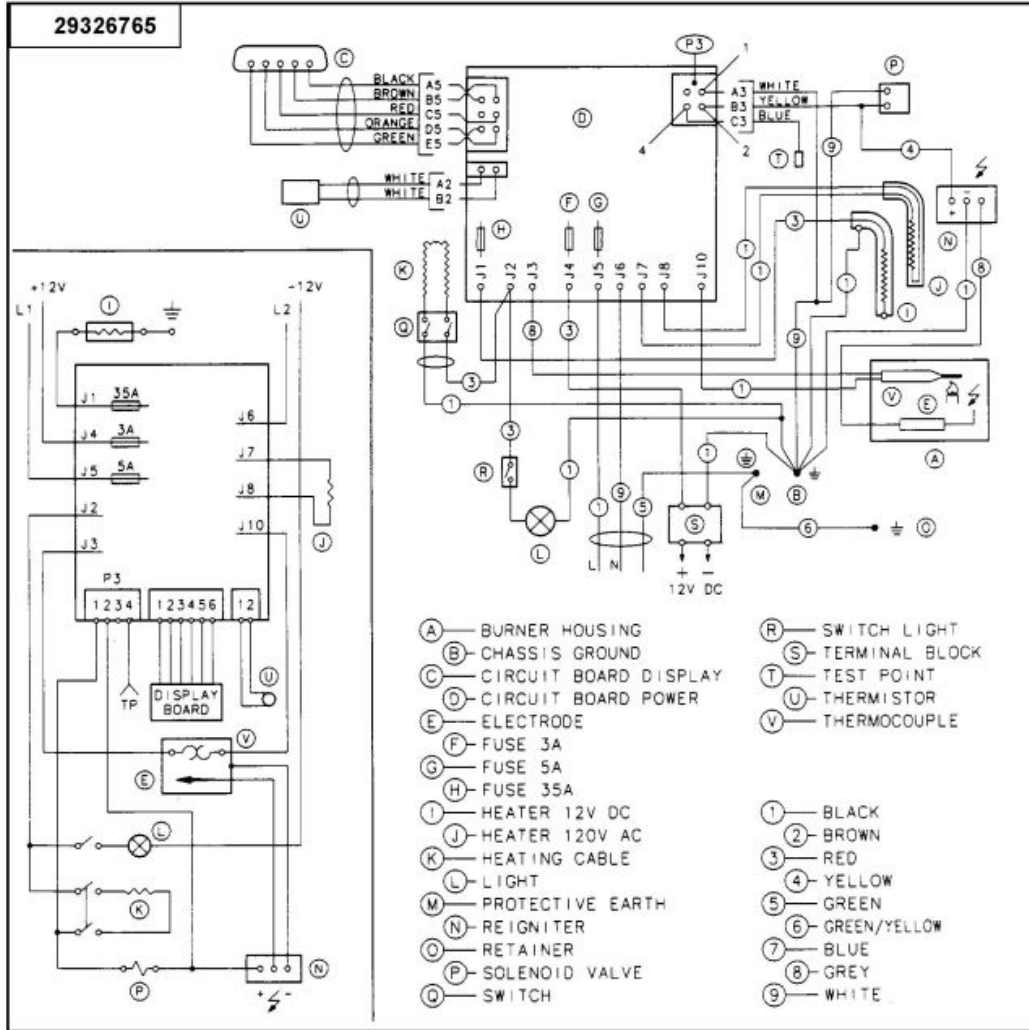
	Model #	Prod. #
A =	RM3662	(921144006)
B =	RM3662	(921144008)
C =	RM3663	(921144010)
D =	RM3663	(921144012)

Index #	Part No.	921144006	921144008	921144010	921144012	Description
		A	B	C	D	
110	2934805090	A	B	C	D	Cooling unit, Type 605
111	0173228008	A	B	C	D	Cap
112	2933557007	A	B	C	D	Cover
113	2932723006	A	B	C	D	Label
114	2801023025	A	B	C	D	Screw

**WIRING DIAGRAM
FOR RM3662 (2-WAY MODELS)
Prod. No. 921144006 & 921144008**



WIRING DIAGRAM FOR RM3663 3-WAY MODELS) Prod. No. 921144010 & 921144012



Copyright © 2010 Laurelhurst Distributors